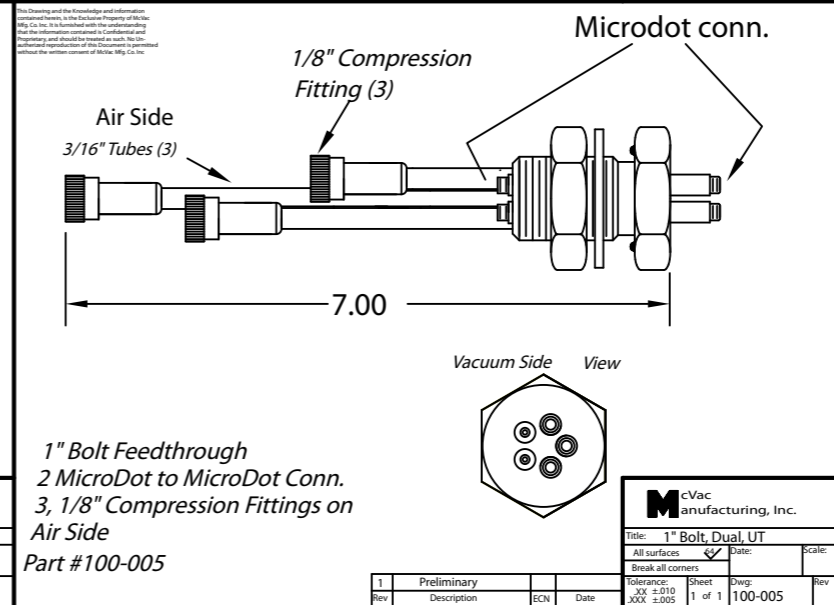
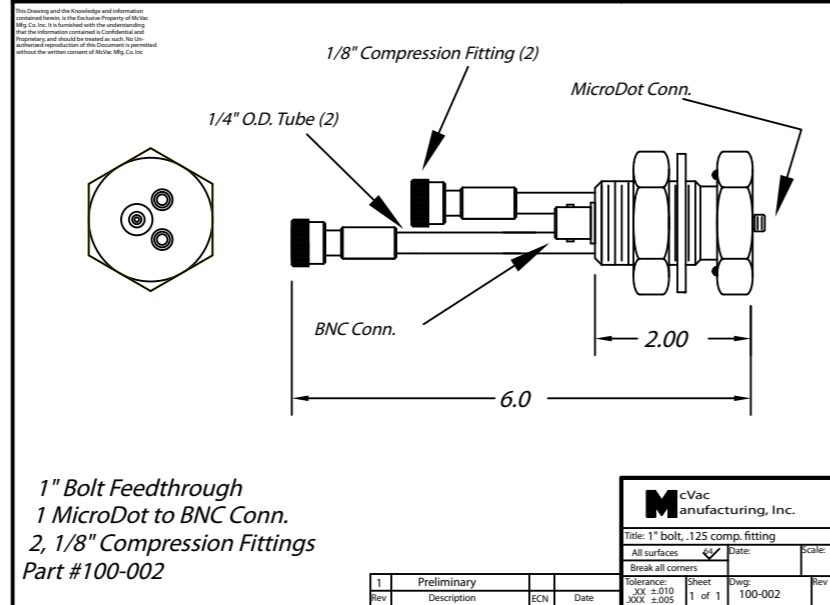
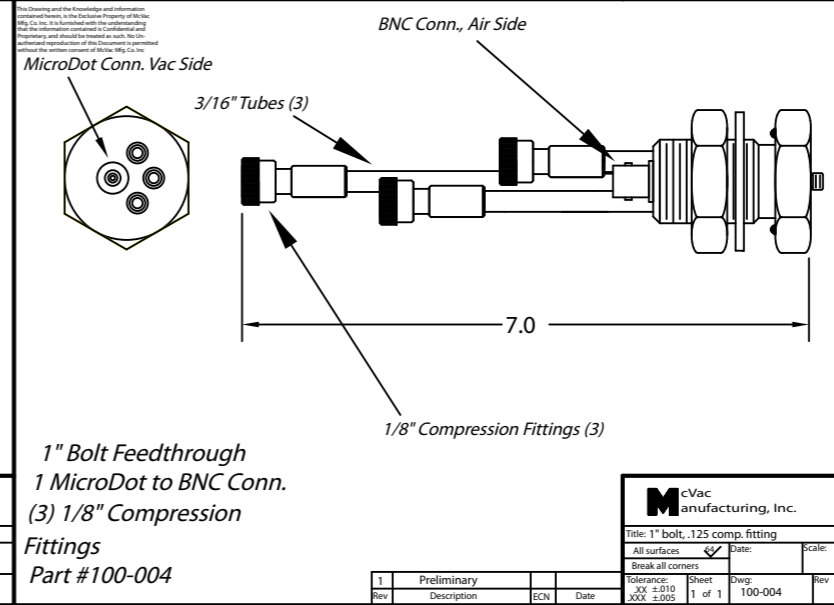
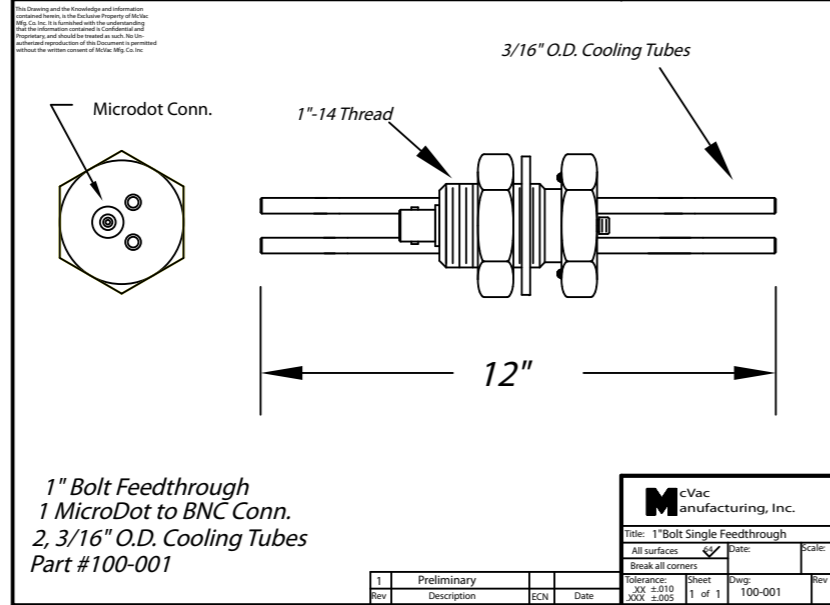
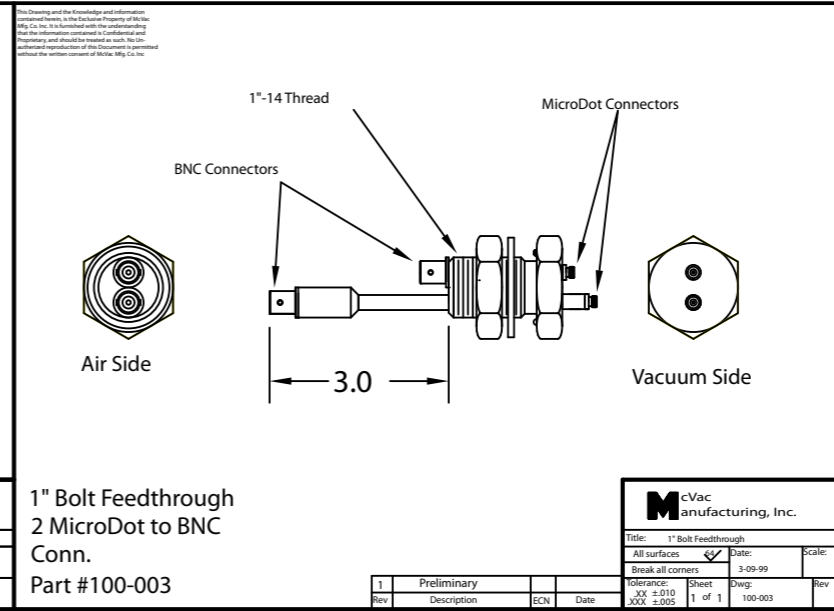
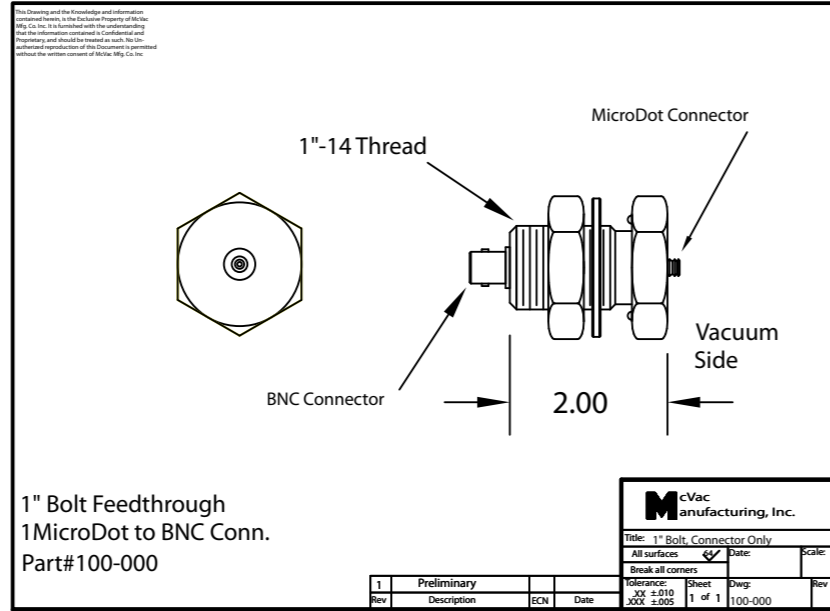


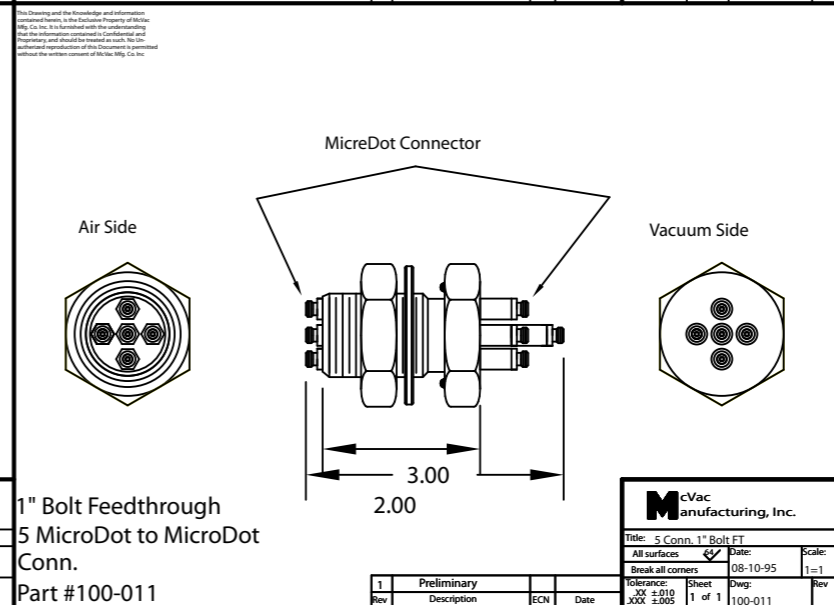
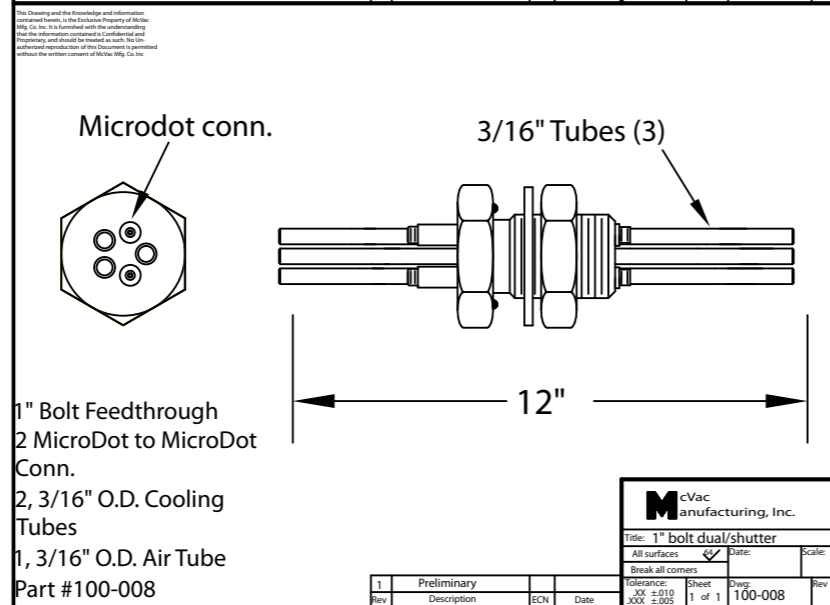
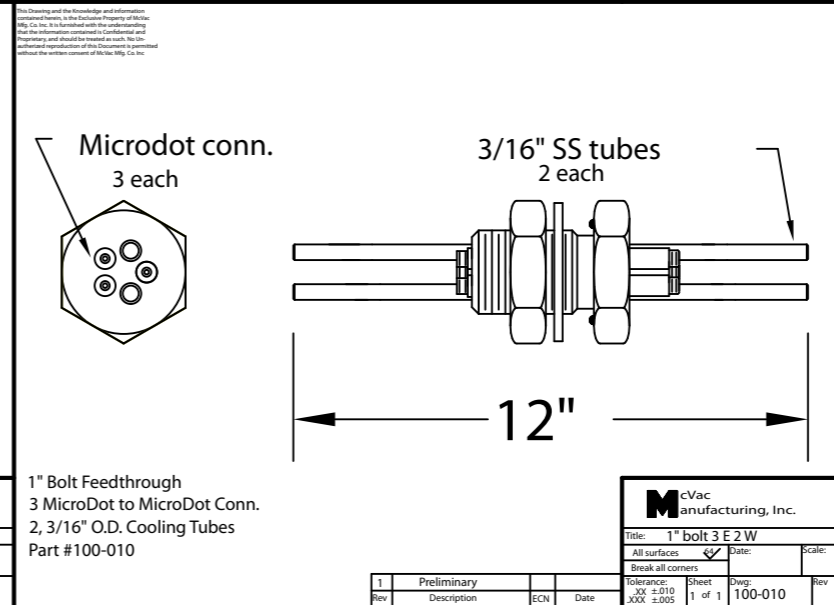
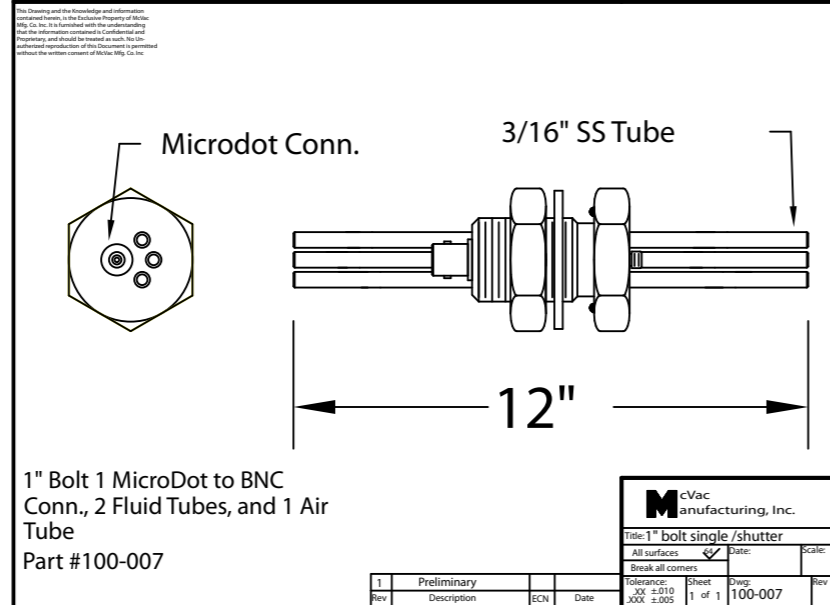
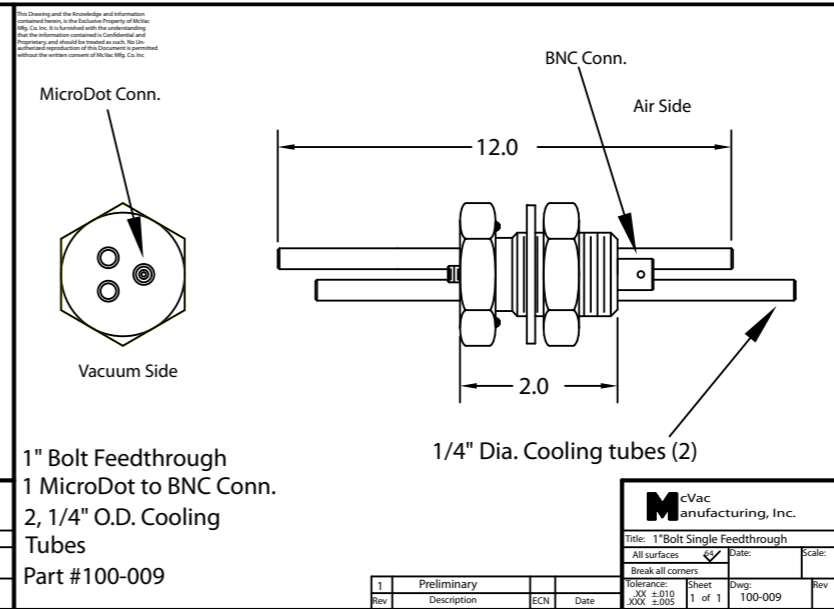
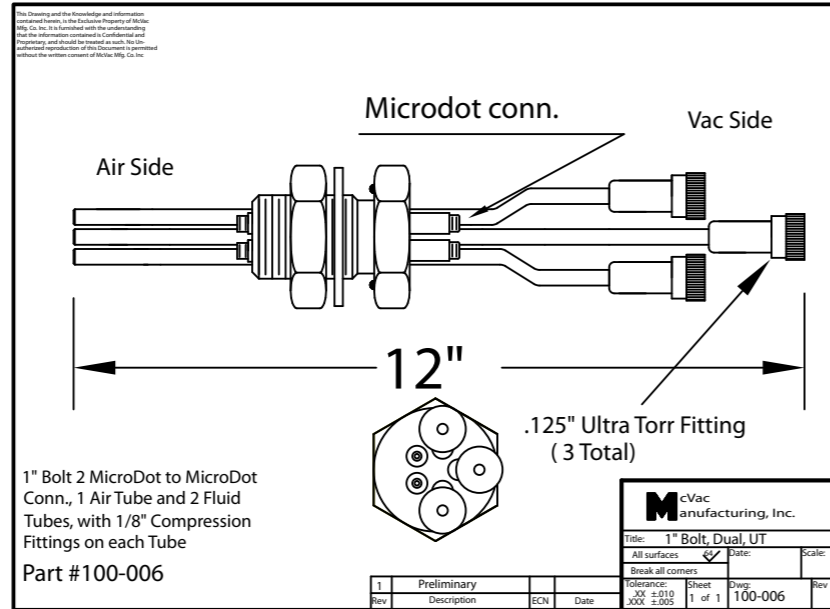
Part#
100-000
100-001
100-002

Part #
100-003
100-004
100-005



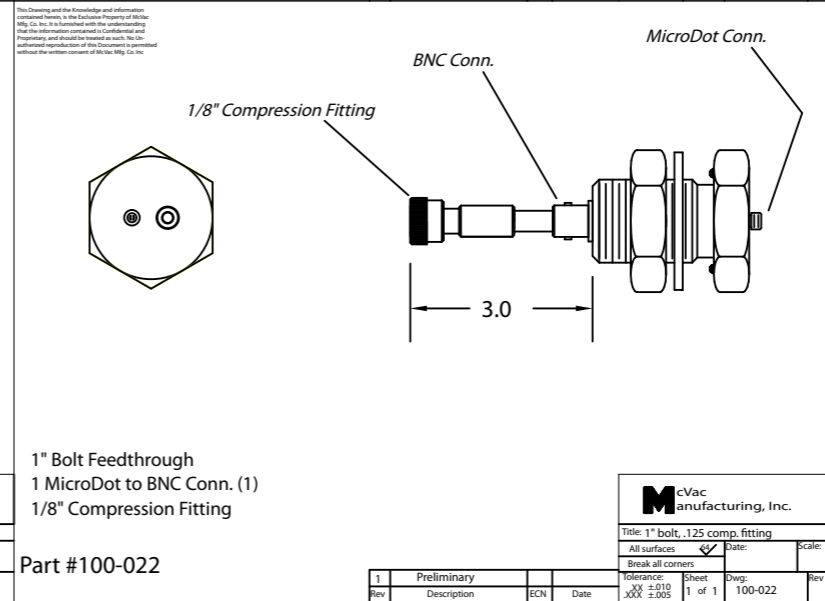
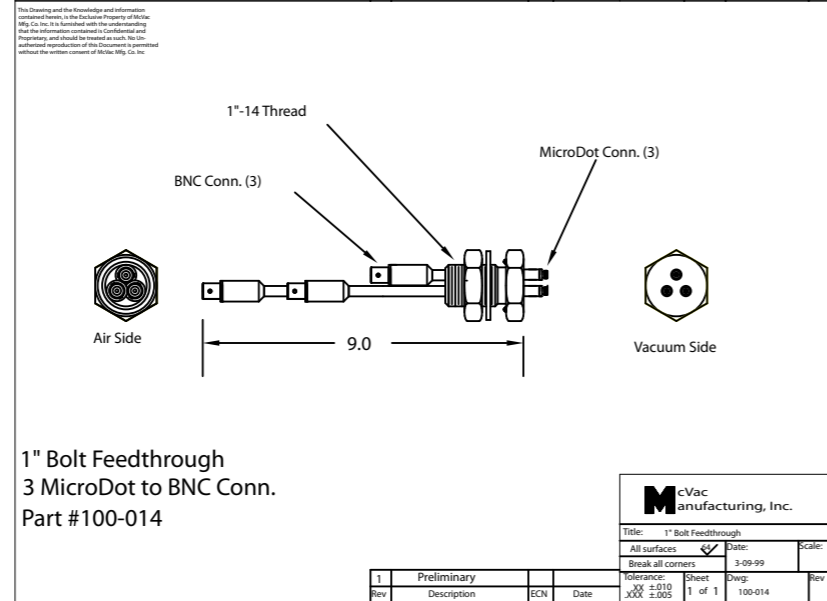
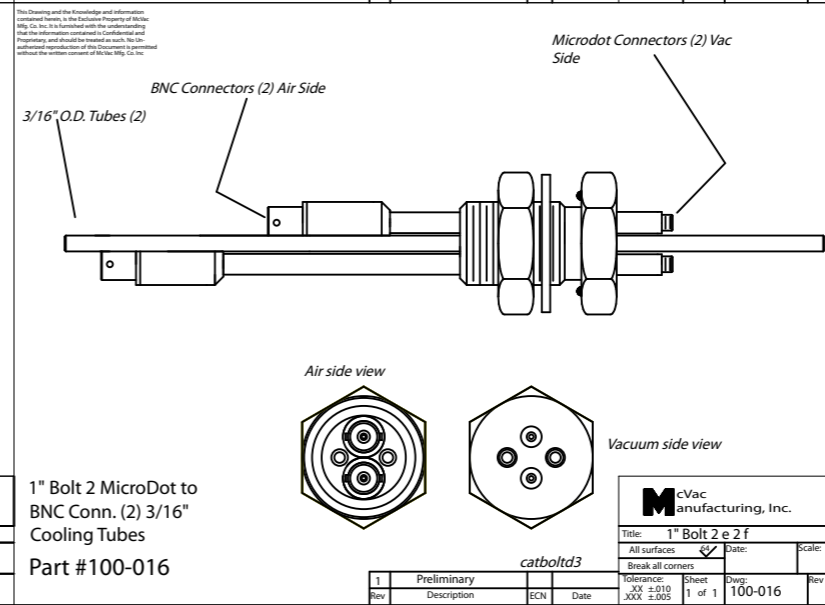
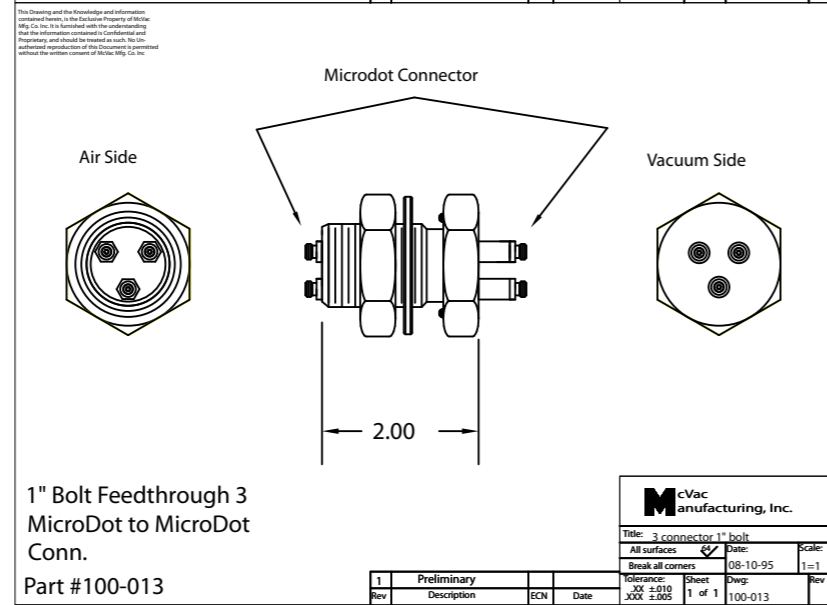
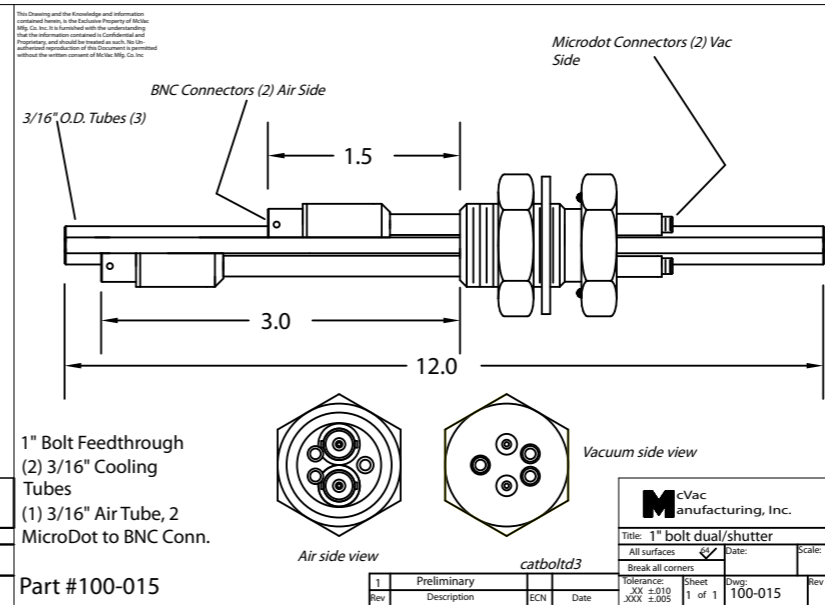
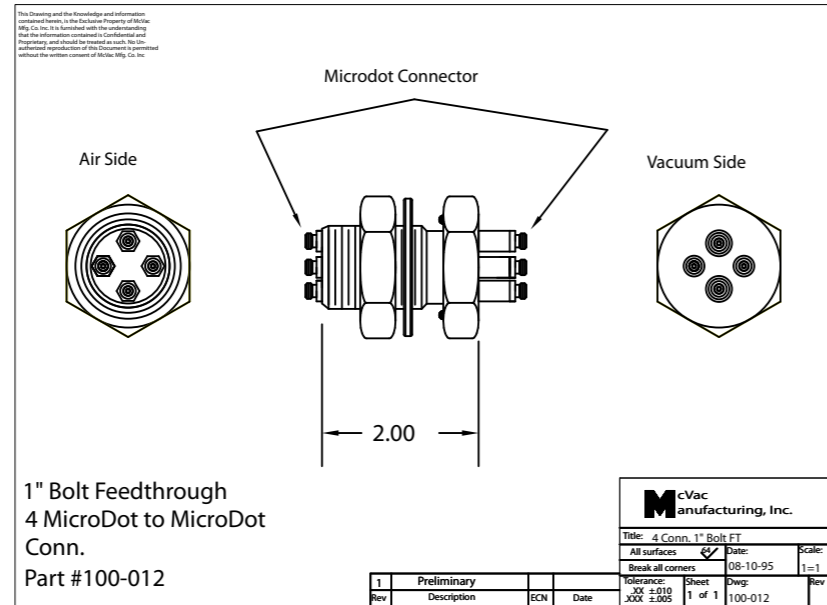
Part #
100-006
100-007
100-008

Part #
100-009
100-010
100-011



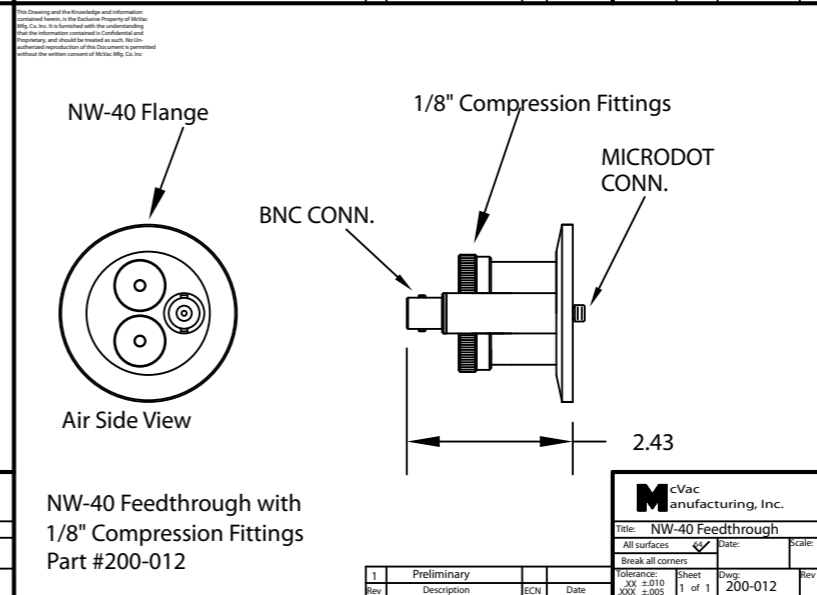
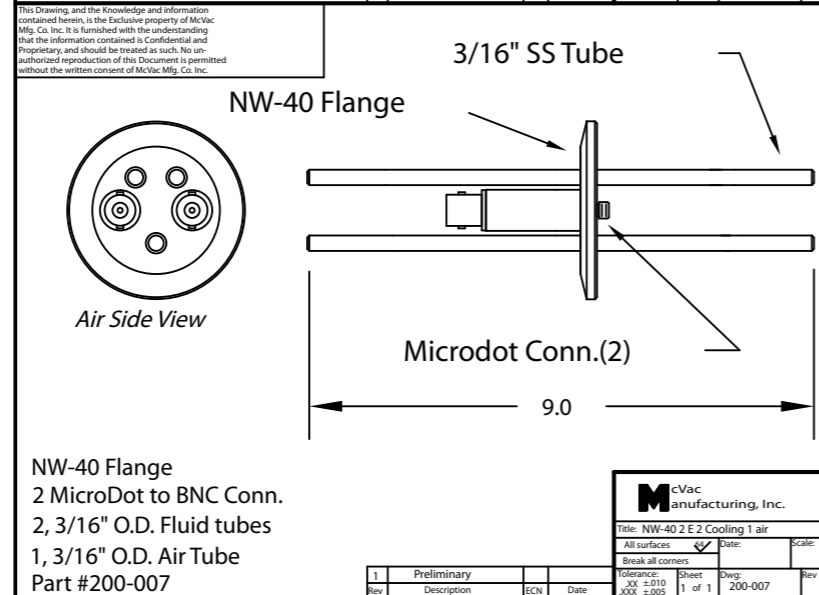
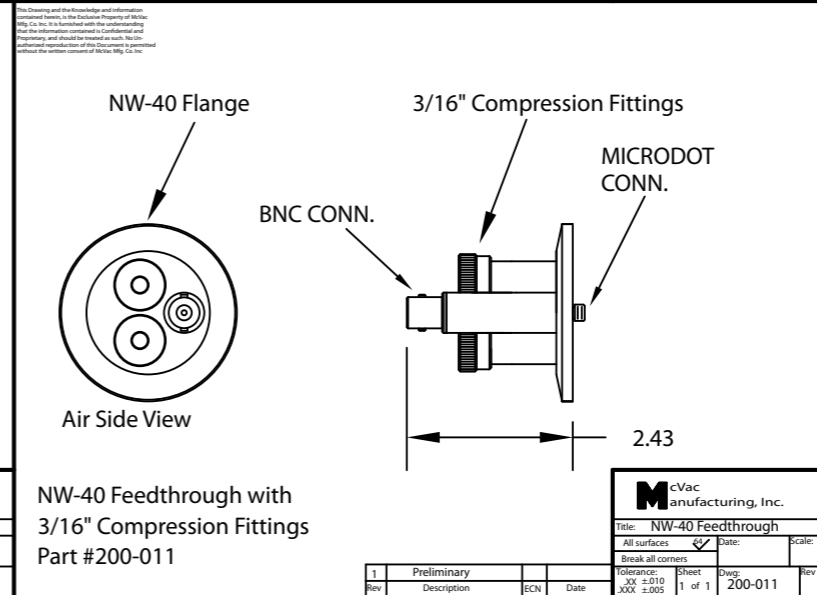
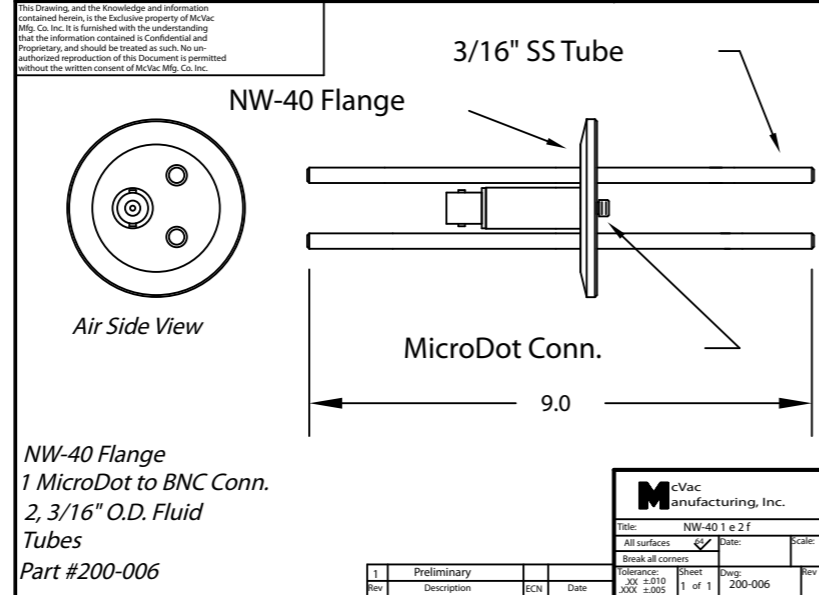
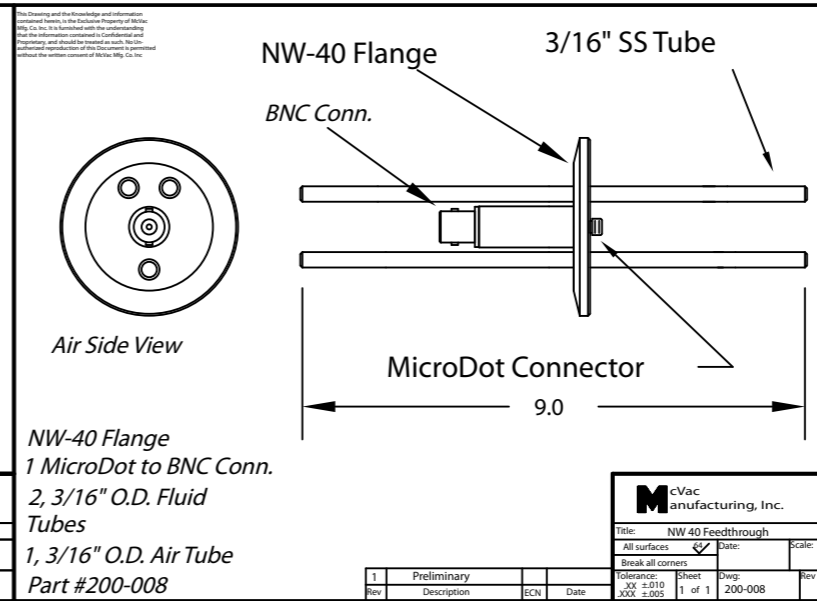
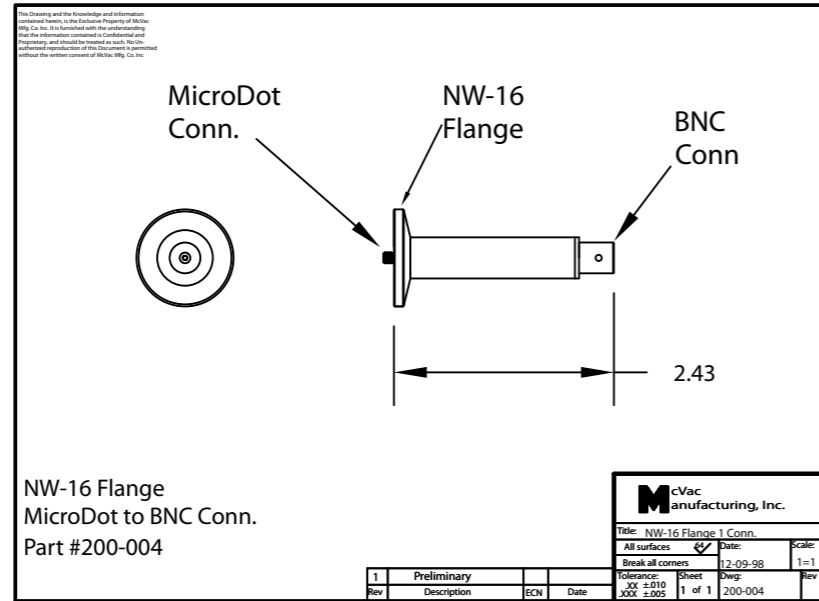
Part #
100-012
100-013
100-014

Part #
100-015
100-016
100-022



Part #
200-004
200-006
200-007

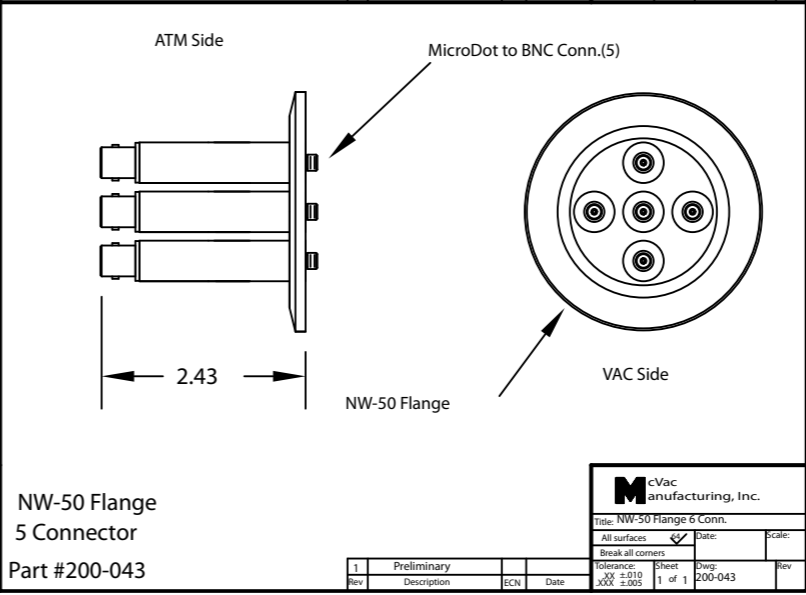
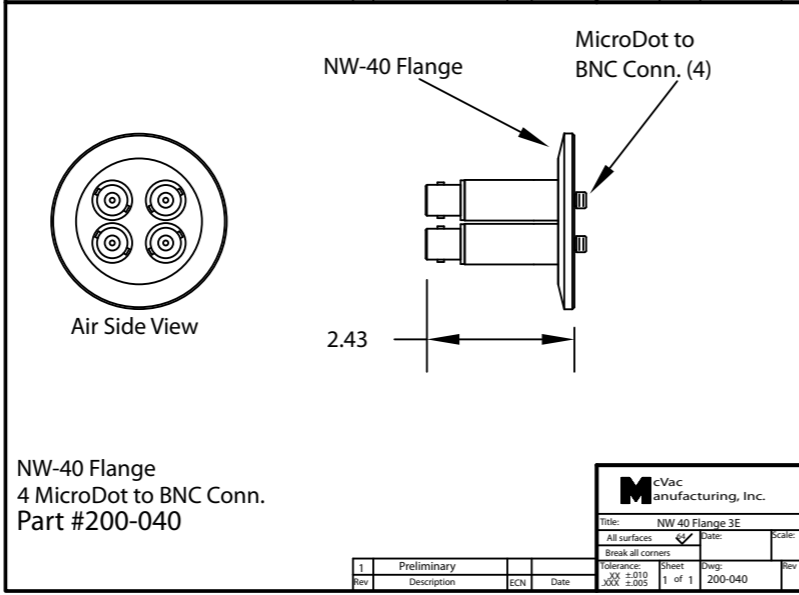
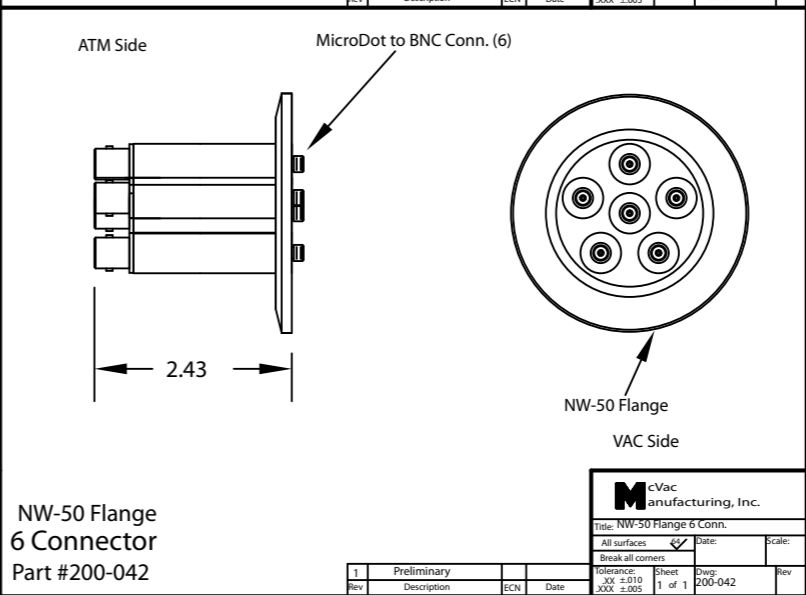
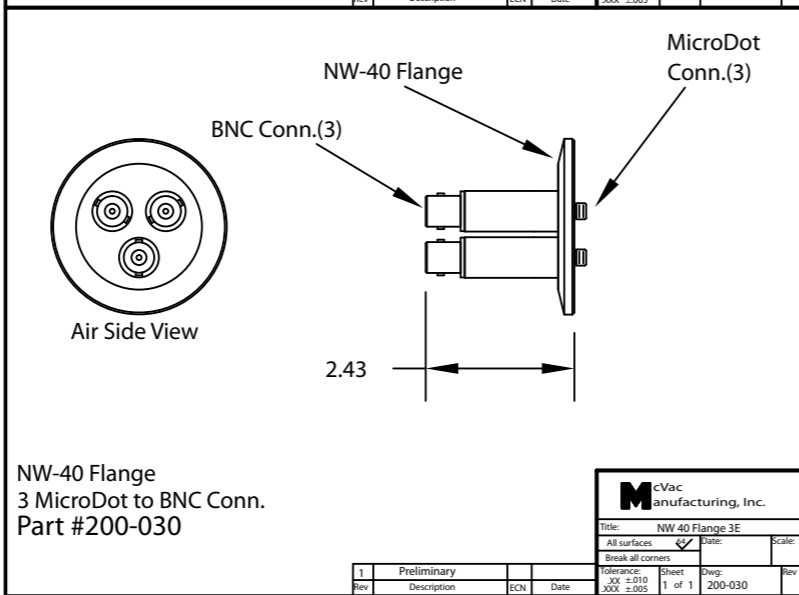
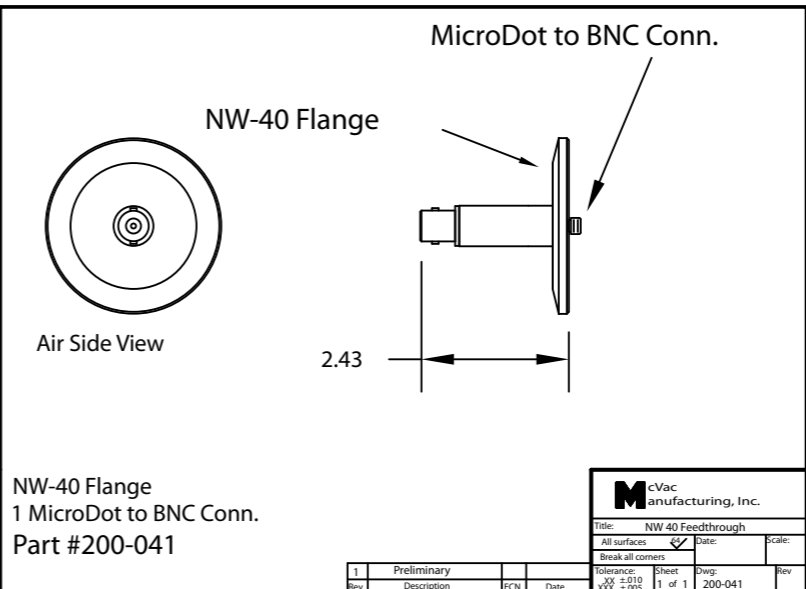
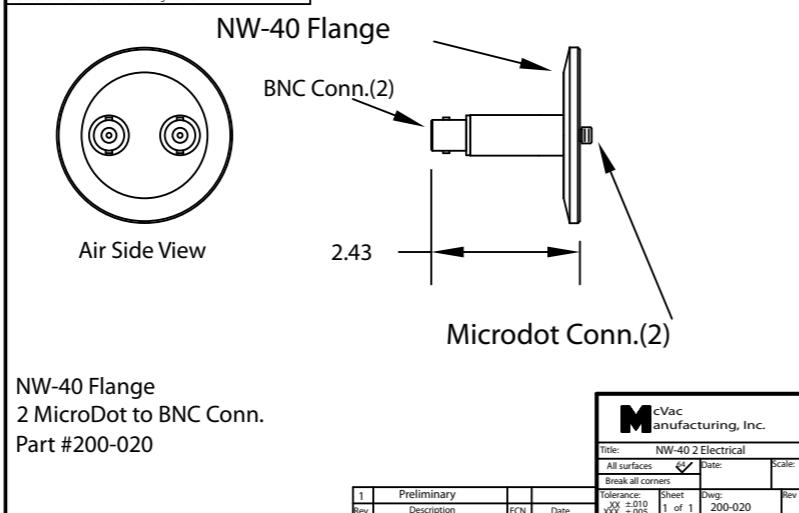
Part #
200-008
200-011
200-012



Part #
200-020
200-030
200-040

Part #
200-041
200-042
200-043

This Drawing, and the Knowledge and Information contained herein, is the Exclusive Property of McVac Mfg. Co. Inc. It is furnished with the understanding that the information contained is Confidential and Proprietary, and should be treated as such. No unauthorized reproduction of this Document is permitted without the written consent of McVac Mfg. Co. Inc.



Part #
200-044
200-045
200-046

Part #
200-047
200-048
200-049

This Drawing and the Knowledge and information contained herein, is the Exclusive Property of McVac Mfg. Co. Inc. It is furnished with the understanding that the information contained is Confidential and Proprietary and should be treated as such. No Un-authorized reproduction of this Document is permitted without the written consent of McVac Mfg. Co. Inc.

NW-40 Flange

1/8" Compression Fittings

Air Side View

1.25

(3)

NW-40 Feedthrough with 1/8" Compression Fittings Part #200-044

McVac manufacturing, Inc.

Title: NW-40 Feedthrough

All surfaces Break all corners Date: _____ Scale: _____

Tolerance: Sheet Dwg: Rev:
XX ±.010 1 of 1 200-044

1	Preliminary			
Rev	Description	ECN	Date	

This Drawing and the Knowledge and information contained herein, is the Exclusive Property of McVac Mfg. Co. Inc. It is furnished with the understanding that the information contained is Confidential and Proprietary and should be treated as such. No Un-authorized reproduction of this Document is permitted without the written consent of McVac Mfg. Co. Inc.

NW-50 Flange

BNC Conn. MicroDot Conn.

Air Side View

2.43

NW-50 Flange, 3 Connectors Part #200-047

McVac manufacturing, Inc.

Title: NW-50 Flange 2E

All surfaces Break all corners Date: _____ Scale: _____

Tolerance: Sheet Dwg: Rev:
XX ±.010 1 of 1 200-047

1	Preliminary			
Rev	Description	ECN	Date	

This Drawing and the Knowledge and information contained herein, is the Exclusive Property of McVac Mfg. Co. Inc. It is furnished with the understanding that the information contained is Confidential and Proprietary and should be treated as such. No Un-authorized reproduction of this Document is permitted without the written consent of McVac Mfg. Co. Inc.

NW-40 Flange

1/4" Compression Fitting

BNC CONN. MICRODOT CONN.

Air Side View

2.43

NW-40 Feedthrough with 1/4" Compression Fittings Part #200-045

McVac manufacturing, Inc.

Title: NW-40 Feedthrough

All surfaces Break all corners Date: _____ Scale: _____

Tolerance: Sheet Dwg: Rev:
XX ±.010 1 of 1 200-045

1	Preliminary			
Rev	Description	ECN	Date	

This Drawing and the Knowledge and information contained herein, is the Exclusive Property of McVac Mfg. Co. Inc. It is furnished with the understanding that the information contained is Confidential and Proprietary and should be treated as such. No Un-authorized reproduction of this Document is permitted without the written consent of McVac Mfg. Co. Inc.

NW-50 Flange

BNC Conn. MicroDot Conn.

Air Side View

2.43

NW-50 Flange With 4 Connectors Part #200-048

McVac manufacturing, Inc.

Title: NW-50 Flange 2E

All surfaces Break all corners Date: _____ Scale: _____

Tolerance: Sheet Dwg: Rev:
XX ±.010 1 of 1 200-048

1	Preliminary			
Rev	Description	ECN	Date	

This Drawing and the Knowledge and information contained herein, is the Exclusive Property of McVac Mfg. Co. Inc. It is furnished with the understanding that the information contained is Confidential and Proprietary and should be treated as such. No Un-authorized reproduction of this Document is permitted without the written consent of McVac Mfg. Co. Inc.

NW-50 Flange

BNC Conn. MicroDot Conn.

Air Side View

.25

2.43

NW-50 Flange with 2 Connectors Part #200-046

McVac manufacturing, Inc.

Title: NW-50 Flange 2E

All surfaces Break all corners Date: _____ Scale: _____

Tolerance: Sheet Dwg: Rev:
XX ±.010 1 of 1 200-046

1	Preliminary			
Rev	Description	ECN	Date	

This Drawing and the Knowledge and information contained herein, is the Exclusive Property of McVac Mfg. Co. Inc. It is furnished with the understanding that the information contained is Confidential and Proprietary and should be treated as such. No Un-authorized reproduction of this Document is permitted without the written consent of McVac Mfg. Co. Inc.

NW-25 Flange

3/16" SS Tube

Air Side View

MicroDot Conn.

9.00

NW-25 Flange 1 MicroDot to BNC Conn. 2, 3/16" O.D. Fluid Tubes Part #200-049

McVac manufacturing, Inc.

Title: NW-25 1 e 2 f

All surfaces Break all corners Date: _____ Scale: _____

Tolerance: Sheet Dwg: Rev:
XX ±.010 1 of 1 200-049

1	Preliminary			
Rev	Description	ECN	Date	

Part #
200-050
200-051
200-052

Part #
200-053
200-054
200-055

This Drawing, and the Knowledge and Information contained herein, is the Exclusive Property of McVac Mfg. Co. Inc. It is furnished with the understanding that the information contained is Confidential and Proprietary, and should be treated as such. No unauthorized reproduction of this Document is permitted without the written consent of McVac Mfg. Co. Inc.

NW-50 Flange

BNC Conn. MicroDot Conn.

Air Side View

2.43

NW-50 Flange, 1 Connector
Part #200-050

1	Preliminary			
Rev	Description	ECN	Date	

McVac manufacturing, Inc.

Title: NW-50 1 e

All surfaces Break all corners Date: _____ Scale: _____

Tolerance: .XX ±.010 Sheet 1 of 1 Dwg: 200-050 Rev _____
XXX ±.005

This Drawing, and the Knowledge and Information contained herein, is the Exclusive Property of McVac Mfg. Co. Inc. It is furnished with the understanding that the information contained is Confidential and Proprietary, and should be treated as such. No unauthorized reproduction of this Document is permitted without the written consent of McVac Mfg. Co. Inc.

NW-25 Flange

Air Side View

3/16" Compression Fitting

1.25

NW-25 Flange
3/16" Compression Fitting
Part #200-053

1	Preliminary			
Rev	Description	ECN	Date	

McVac manufacturing, Inc.

Title: NW-25 3/16" Comp

All surfaces Break all corners Date: _____ Scale: _____

Tolerance: .XX ±.010 Sheet 1 of 1 Dwg: 200-053 Rev _____
XXX ±.005

This Drawing, and the Knowledge and Information contained herein, is the Exclusive Property of McVac Mfg. Co. Inc. It is furnished with the understanding that the information contained is Confidential and Proprietary, and should be treated as such. No unauthorized reproduction of this Document is permitted without the written consent of McVac Mfg. Co. Inc.

NW-25 Flange

Air Side View

2.43

MicroDot to BNC Conn.

NW-25 Flange
1 MicroDot to BNC Conn.
Part #200-051

1	Preliminary			
Rev	Description	ECN	Date	

McVac manufacturing, Inc.

Title: NW-25 1e

All surfaces Break all corners Date: _____ Scale: _____

Tolerance: .XX ±.010 Sheet 1 of 1 Dwg: 200-051 Rev _____
XXX ±.005

This Drawing, and the Knowledge and Information contained herein, is the Exclusive Property of McVac Mfg. Co. Inc. It is furnished with the understanding that the information contained is Confidential and Proprietary, and should be treated as such. No unauthorized reproduction of this Document is permitted without the written consent of McVac Mfg. Co. Inc.

NW-25 Flange

Air Side View

1/4" Compression Fitting

1.25

NW-25 Flange
1/4" Compression Fitting
Part #200-054

1	Preliminary			
Rev	Description	ECN	Date	

McVac manufacturing, Inc.

Title: NW-25 1/4" Comp

All surfaces Break all corners Date: _____ Scale: _____

Tolerance: .XX ±.010 Sheet 1 of 1 Dwg: 200-054 Rev _____
XXX ±.005

This Drawing, and the Knowledge and Information contained herein, is the Exclusive Property of McVac Mfg. Co. Inc. It is furnished with the understanding that the information contained is Confidential and Proprietary, and should be treated as such. No unauthorized reproduction of this Document is permitted without the written consent of McVac Mfg. Co. Inc.

NW-25 Flange

Air Side View

1/8" Compression Fitting

1.25

NW-25 Flange
1/8" Compression Fitting
Part #200-052

1	Preliminary			
Rev	Description	ECN	Date	

McVac manufacturing, Inc.

Title: NW-25 1/8" Comp.

All surfaces Break all corners Date: _____ Scale: _____

Tolerance: .XX ±.010 Sheet 1 of 1 Dwg: 200-052 Rev _____
XXX ±.005

This Drawing, and the Knowledge and Information contained herein, is the Exclusive Property of McVac Mfg. Co. Inc. It is furnished with the understanding that the information contained is Confidential and Proprietary, and should be treated as such. No unauthorized reproduction of this Document is permitted without the written consent of McVac Mfg. Co. Inc.

NW-25 Flange

Air Side View

MicroDot to BNC Conn.

NW-25 Flange
2 MicroDot to BNC Conn.
Part #200-055

1	Preliminary			
Rev	Description	ECN	Date	

McVac manufacturing, Inc.

Title: NW-25 2 e

All surfaces Break all corners Date: _____ Scale: _____

Tolerance: .XX ±.010 Sheet 1 of 1 Dwg: 200-055 Rev _____
XXX ±.005

Part #
300-003
300-005
300-007

Part #
300-008
300-009
300-010

The Drawing and the knowledge and information contained herein, is the Exclusive Property of McVac Mfg. Co. Inc. It is furnished with the understanding that the information contained is Confidential and Proprietary, and should be treated as such. No disclosure, reproduction or use of this document is permitted without the written consent of McVac Mfg. Co. Inc.

1 1/4" (32mm) Bolt 1 MicroDot to BNC Conn.,
2 Fluid Tubes (3/16" O.D.)
Part #300-003

McVac manufacturing, Inc.
Title: 1 1/4" Bolt Single FT
All surfaces Break all corners Date: 02-04-93 Scale: 1=1
Tolerance: Sheet Dwg: Rev:
XX ±010 1 of 1 300-003

Rev	Description	ECN	Date
1	Preliminary		

The Drawing and the knowledge and information contained herein, is the Exclusive Property of McVac Mfg. Co. Inc. It is furnished with the understanding that the information contained is Confidential and Proprietary, and should be treated as such. No disclosure, reproduction or use of this document is permitted without the written consent of McVac Mfg. Co. Inc.

1 1/4" (32mm) Bolt with 1 MicroDot to BNC Conn.
Part #300-008

McVac manufacturing, Inc.
Title: 1 1/4" Bolt Single FT
All surfaces Break all corners Date: 02-04-93 Scale: 1=1
Tolerance: Sheet Dwg: Rev:
XX ±010 1 of 1 300-008

Rev	Description	ECN	Date
1	Preliminary		

The Drawing and the knowledge and information contained herein, is the Exclusive Property of McVac Mfg. Co. Inc. It is furnished with the understanding that the information contained is Confidential and Proprietary, and should be treated as such. No disclosure, reproduction or use of this document is permitted without the written consent of McVac Mfg. Co. Inc.

1 1/4" (32mm) Bolt 2 MicroDot to MicroDot conn., 2 Fluid Tubes and 1 Air Tube(all 3/16" O.D.)
Part #300-005

McVac manufacturing, Inc.
Title: 1 1/4" Bolt Dual FT
All surfaces Break all corners Date: 02-04-93 Scale: 1=1
Tolerance: Sheet Dwg: Rev:
XX ±010 1 of 1 300-005

Rev	Description	ECN	Date
1	Preliminary		

The Drawing and the knowledge and information contained herein, is the Exclusive Property of McVac Mfg. Co. Inc. It is furnished with the understanding that the information contained is Confidential and Proprietary, and should be treated as such. No disclosure, reproduction or use of this document is permitted without the written consent of McVac Mfg. Co. Inc.

1 1/4" (32mm) Bolt with 4 MicroDot to BNC Conn.
Part #300-009

McVac manufacturing, Inc.
Title: 1 1/4" Bolt 4 E
All surfaces Break all corners Date: 09-28-05 Scale: 1=1
Tolerance: Sheet Dwg: Rev:
XX ±010 1 of 1 300-009

Rev	Description	ECN	Date
1	Preliminary		

The Drawing and the knowledge and information contained herein, is the Exclusive Property of McVac Mfg. Co. Inc. It is furnished with the understanding that the information contained is Confidential and Proprietary, and should be treated as such. No disclosure, reproduction or use of this document is permitted without the written consent of McVac Mfg. Co. Inc.

1 1/4" (32mm) Bolt 1 MicroDot to BNC Conn.,
2 Fluid Tubes and 1 Air Tube(all 3/16" O.D.)
Part #300-007

McVac manufacturing, Inc.
Title: 1 1/4" Bolt Feedthrough
All surfaces Break all corners Date: 02-04-93 Scale: 1=1
Tolerance: Sheet Dwg: Rev:
XX ±010 1 of 1 300-007

Rev	Description	ECN	Date
1	Preliminary		

The Drawing and the knowledge and information contained herein, is the Exclusive Property of McVac Mfg. Co. Inc. It is furnished with the understanding that the information contained is Confidential and Proprietary, and should be treated as such. No disclosure, reproduction or use of this document is permitted without the written consent of McVac Mfg. Co. Inc.

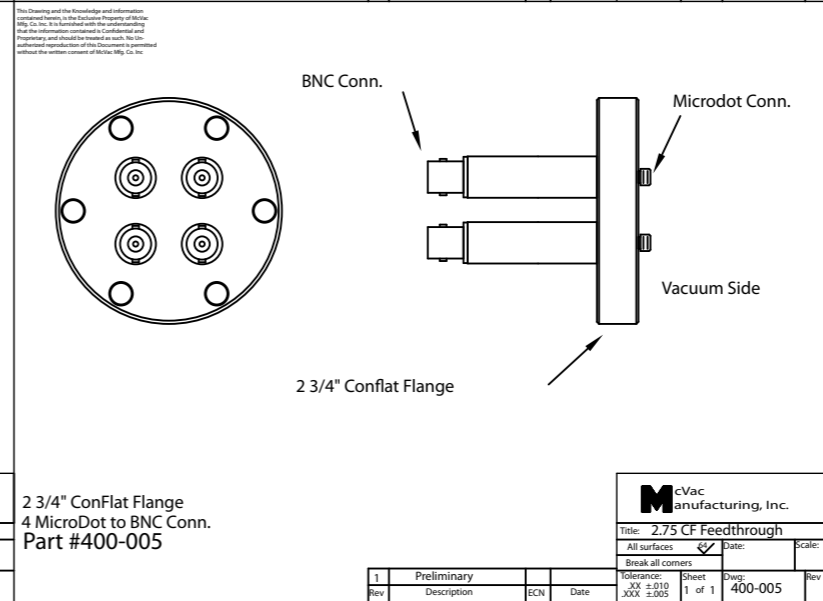
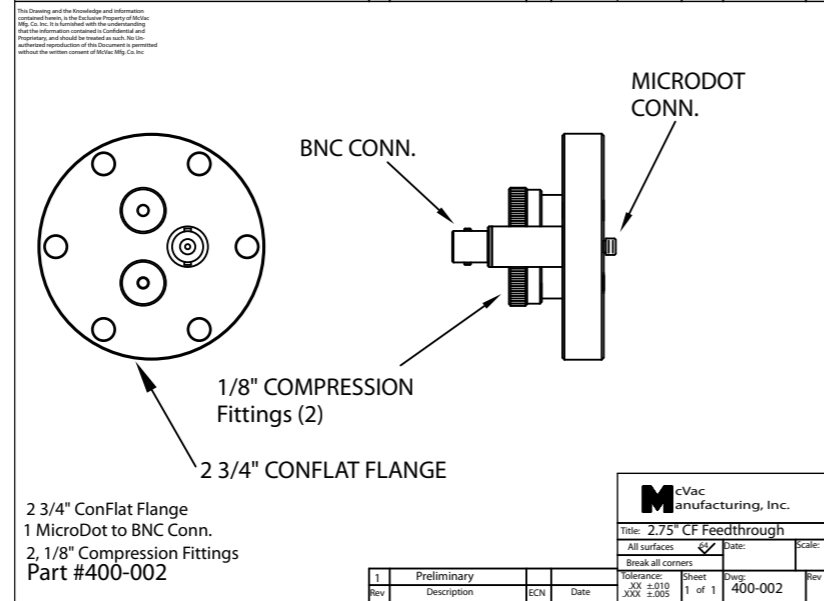
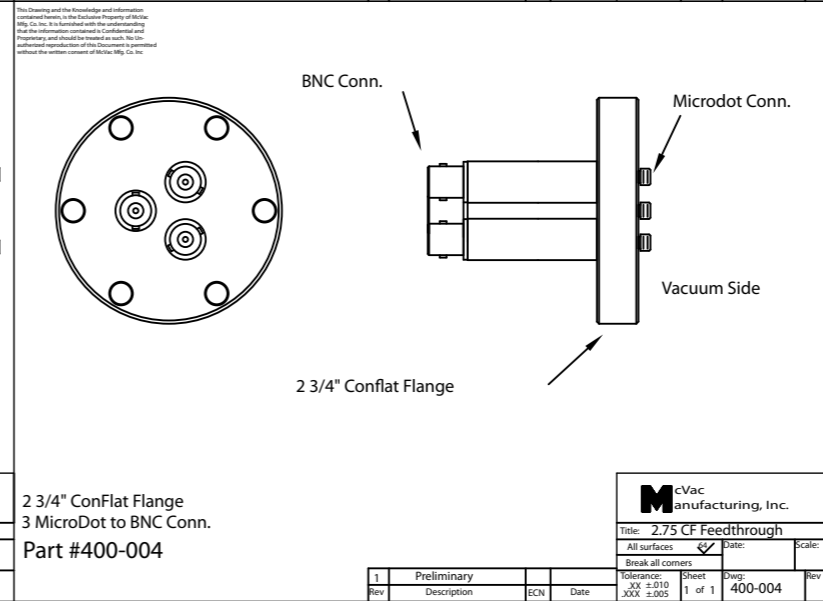
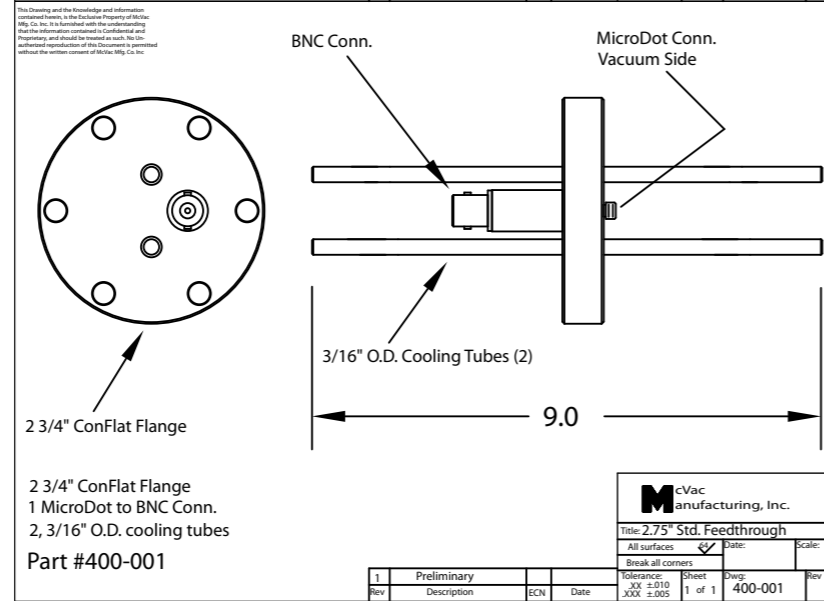
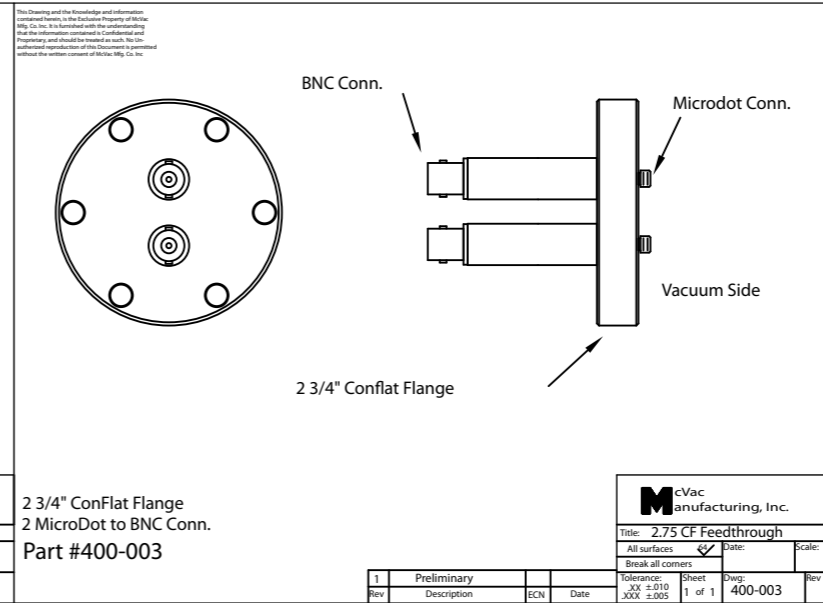
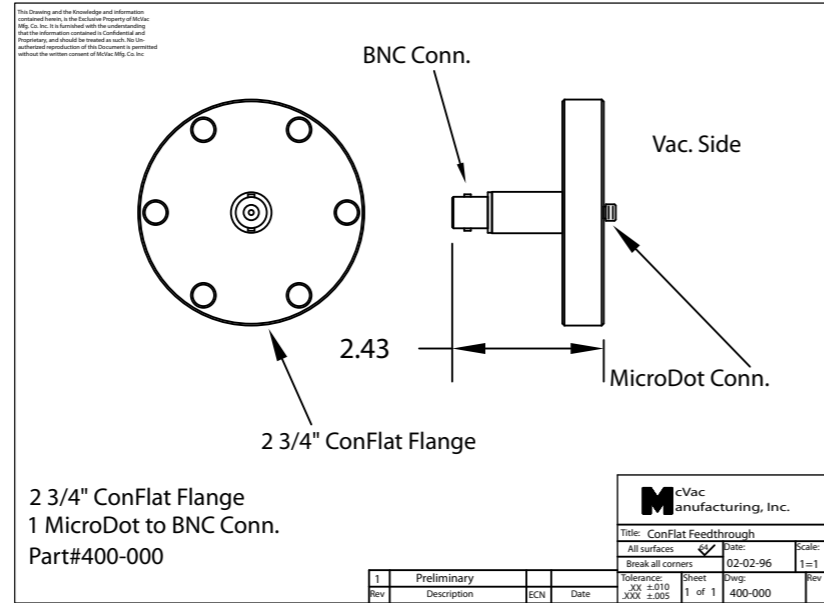
1 1/4" (32mm) Bolt 1 MicroDot to BNC Conn.,
2 Fluid tubes w/1/8" Compression Fittings
Part #300-010

McVac manufacturing, Inc.
Title: 1 1/4" Bolt Single FT
All surfaces Break all corners Date: 02-04-93 Scale: 1=1
Tolerance: Sheet Dwg: Rev:
XX ±010 1 of 1 300-010

Rev	Description	ECN	Date
1	Preliminary		

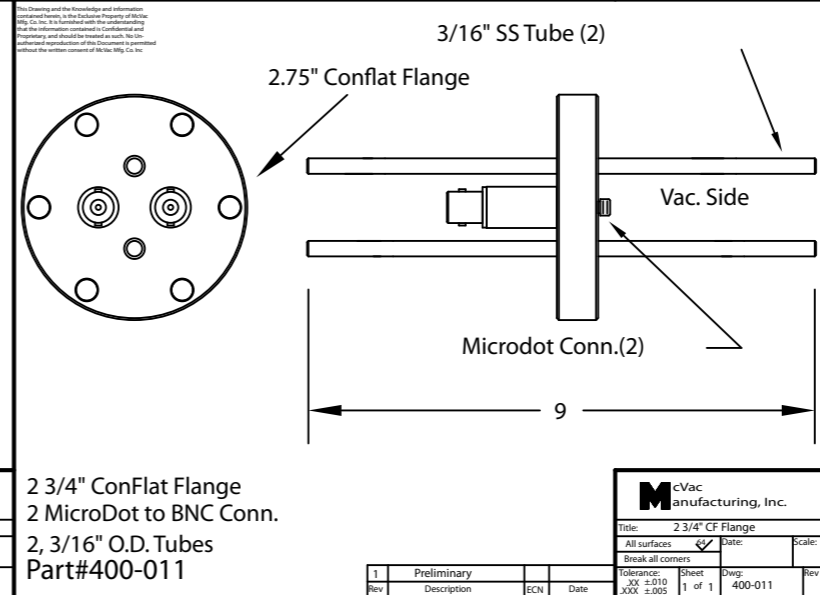
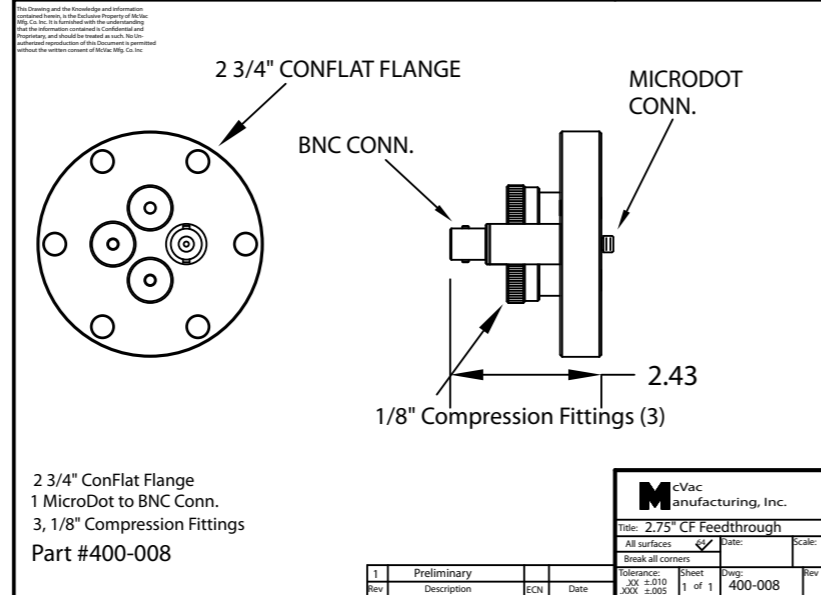
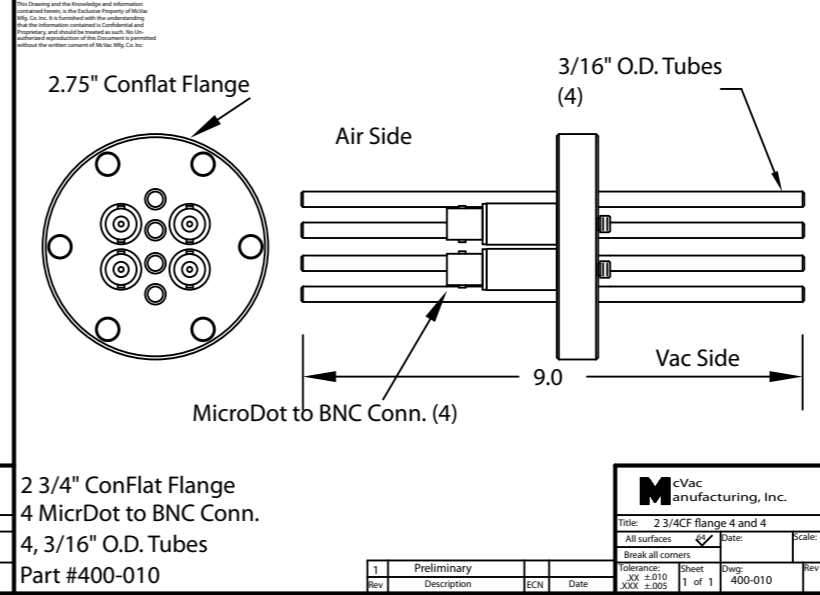
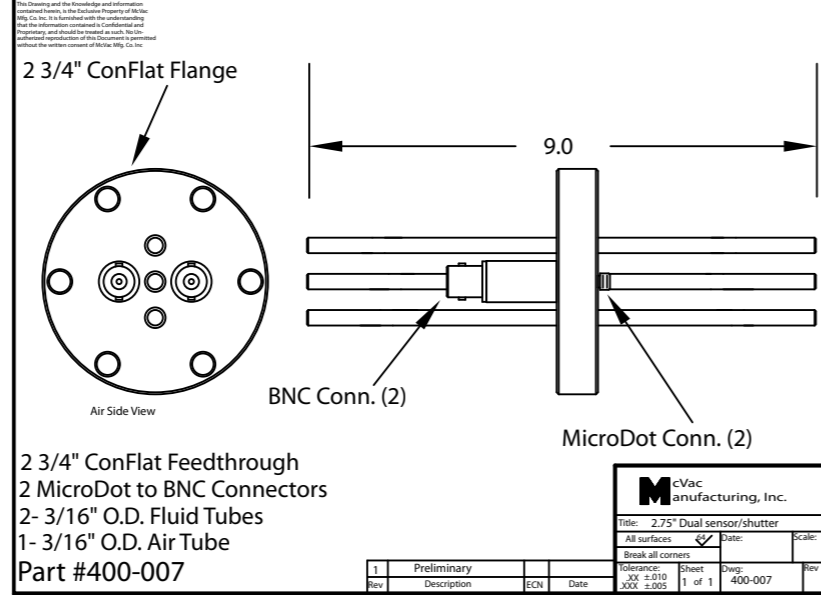
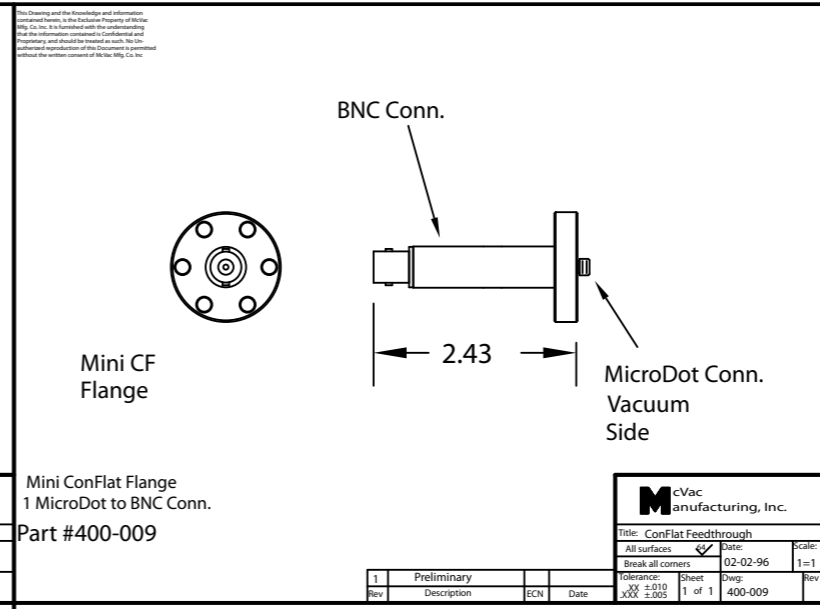
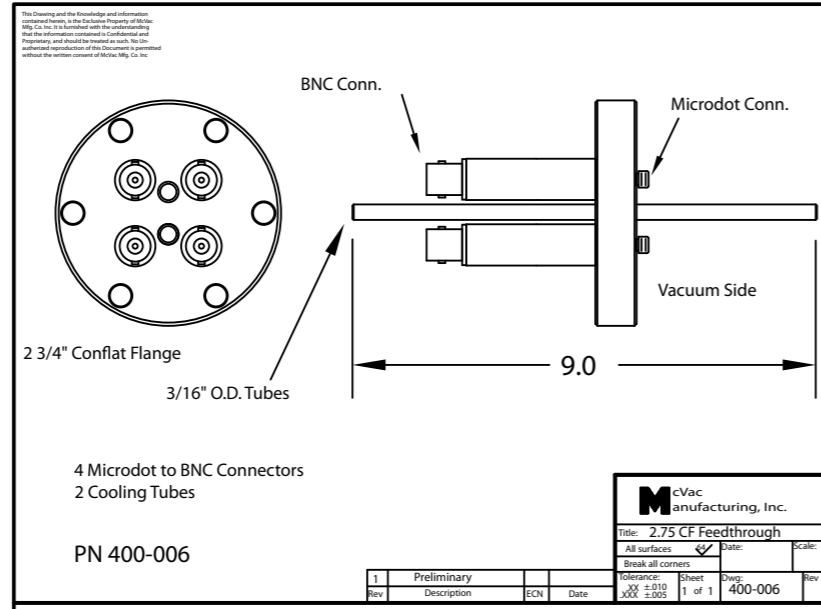
Part #
400-000
400-001
400-002

Part #
400-003
400-004
400-005



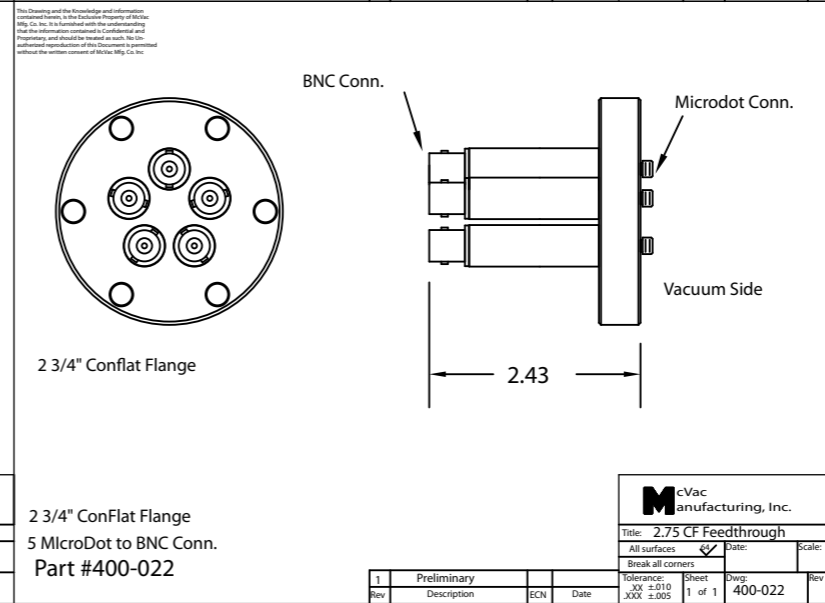
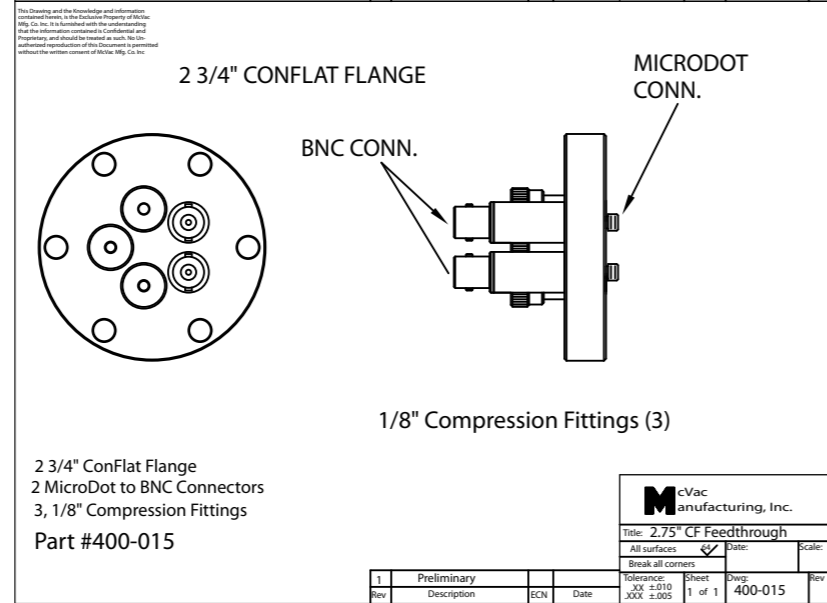
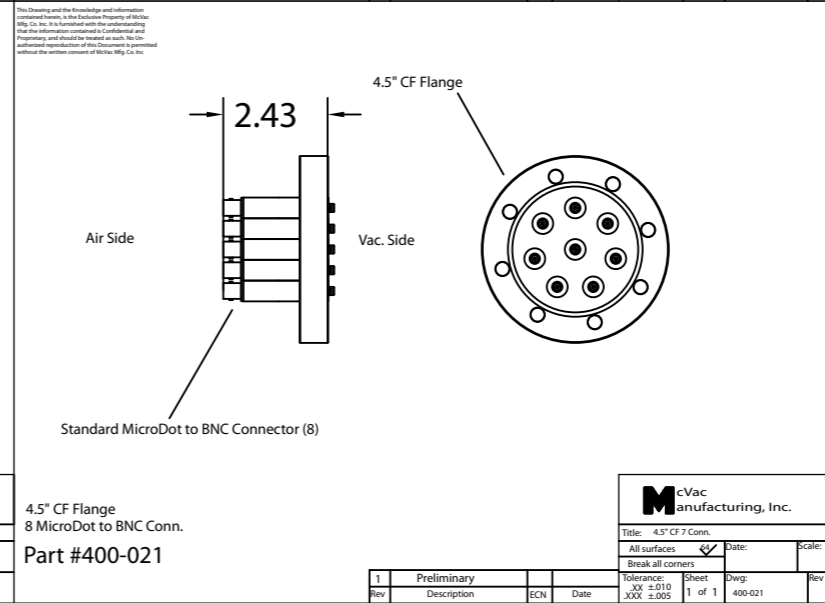
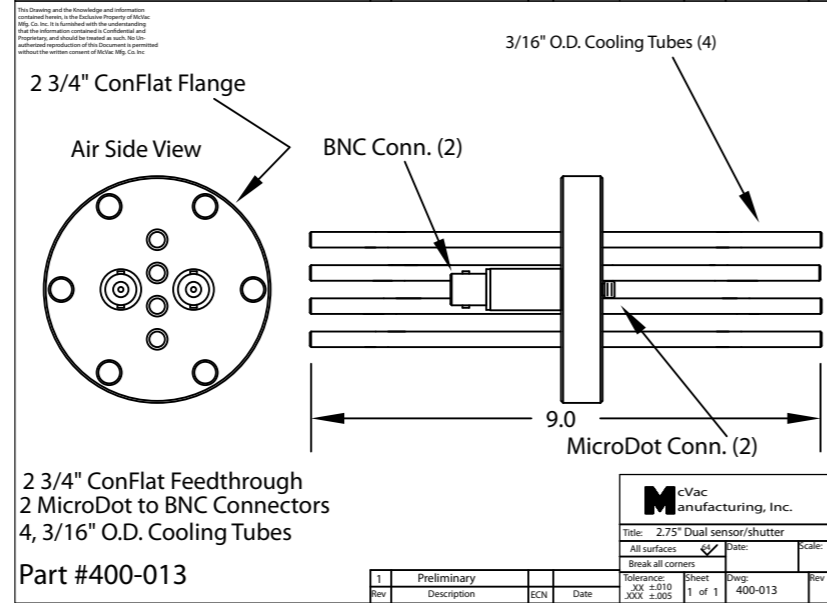
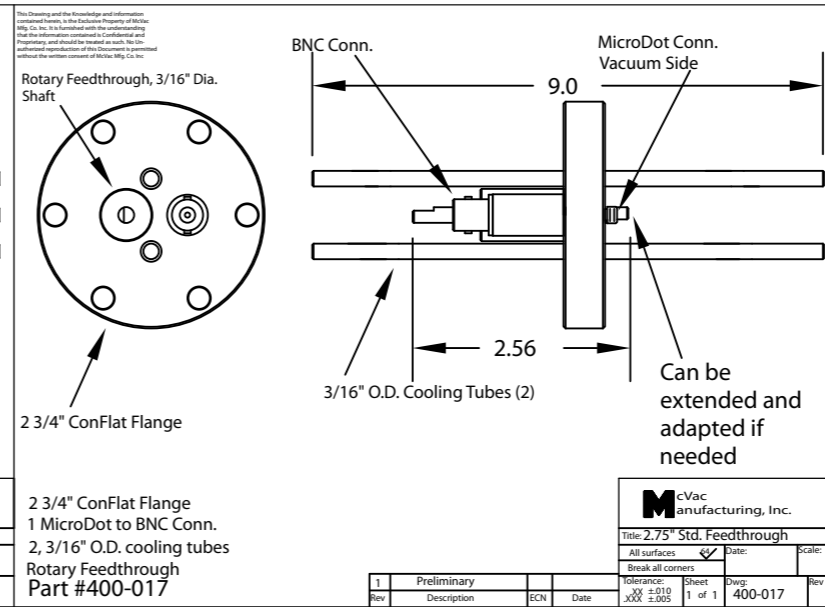
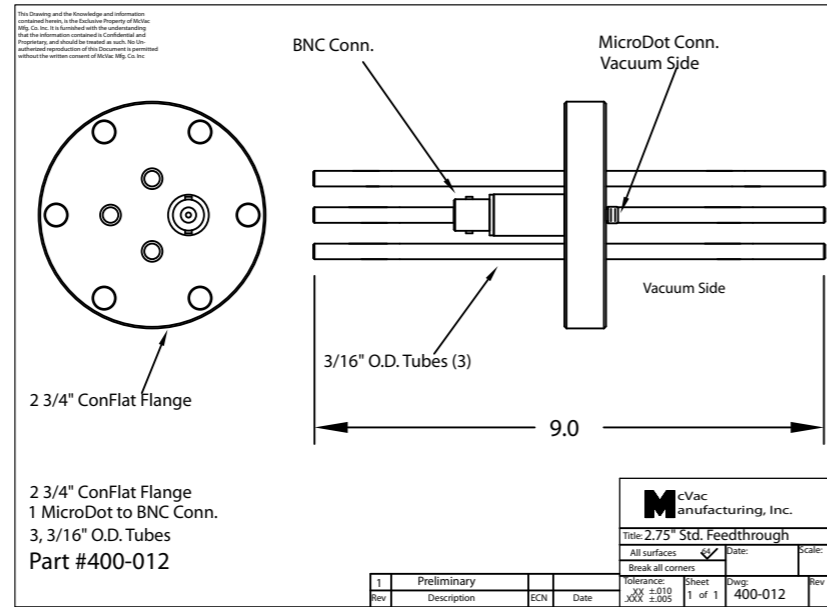
Part #
400-006
400-007
400-008

Part #
400-009
400-010
400-011



Part #
400-012
400-013
400-015

Part #
400-017
400-021
400-022



Part #
700-001
700-002
700-003

Part #
700-009
700-010
700-011

This Drawing and the Knowledge and Information contained herein, is the Exclusive Property of MicVac Mfg. Co. Inc. It is furnished with the understanding that the information contained is Confidential and Proprietary and should be treated as such. No Un-authorized reproduction of this Document is permitted without the written consent of MicVac Mfg. Co. Inc.

Single Sensor
1/8" Cooling Tubes
Part #700-001

1	Preliminary		3/2/92	
Rev	Description	ECN	Date	

Title: Standard Crystal Sensor		Date: 3/2/92	Scale: 1/1
All surfaces	Break all corners	Sheet 1 of 1	Dwg: 700-001
Tolerance: .XX ±.010	.XXX ±.005		Rev 1

This Drawing and the Knowledge and Information contained herein, is the Exclusive Property of MicVac Mfg. Co. Inc. It is furnished with the understanding that the information contained is Confidential and Proprietary and should be treated as such. No Un-authorized reproduction of this Document is permitted without the written consent of MicVac Mfg. Co. Inc.

Dual Sensor
3/16" O.D. Cooling Tubes
Part #700-009

1	Preliminary			
Rev	Description	ECN	Date	

Title: Dual Sensor/Shutter		Date: 02-02-93	Scale: 1=1
All surfaces	Break all corners	Sheet 1 of 1	Dwg: 700-009
Tolerance: .XX ±.010	.XXX ±.005		Rev

This Drawing and the Knowledge and Information contained herein, is the Exclusive Property of MicVac Mfg. Co. Inc. It is furnished with the understanding that the information contained is Confidential and Proprietary and should be treated as such. No Un-authorized reproduction of this Document is permitted without the written consent of MicVac Mfg. Co. Inc.

Single Sensor
3/16" O.D. Cooling Tubes
Part #700-002

1	Preliminary		3/2/92	
Rev	Description	ECN	Date	

Title: Standard Crystal Sensor		Date: 3/2/92	Scale: 1/1
All surfaces	Break all corners	Sheet 1 of 1	Dwg: 700-002
Tolerance: .XX ±.010	.XXX ±.005		Rev 1

This Drawing and the Knowledge and Information contained herein, is the Exclusive Property of MicVac Mfg. Co. Inc. It is furnished with the understanding that the information contained is Confidential and Proprietary and should be treated as such. No Un-authorized reproduction of this Document is permitted without the written consent of MicVac Mfg. Co. Inc.

Dual Sensor
1/8" O.D. Cooling Tubes
1/8" Air Line
Part #700-010

1	Preliminary			
Rev	Description	ECN	Date	

Title: Dual Sensor/Shutter		Date:	Scale:
All surfaces	Break all corners	Sheet 1 of 1	Dwg:
Tolerance: .XX ±.010	.XXX ±.005		Rev

This Drawing and the Knowledge and Information contained herein, is the Exclusive Property of MicVac Mfg. Co. Inc. It is furnished with the understanding that the information contained is Confidential and Proprietary and should be treated as such. No Un-authorized reproduction of this Document is permitted without the written consent of MicVac Mfg. Co. Inc.

Single Sensor
1/4" O.D. Cooling Tubes
Part #700-003

1	Preliminary		3/2/92	
Rev	Description	ECN	Date	

Title: Standard Crystal Sensor		Date: 3/2/92	Scale: 1/1
All surfaces	Break all corners	Sheet 1 of 1	Dwg: 700-003
Tolerance: .XX ±.010	.XXX ±.005		Rev 1

This Drawing and the Knowledge and Information contained herein, is the Exclusive Property of MicVac Mfg. Co. Inc. It is furnished with the understanding that the information contained is Confidential and Proprietary and should be treated as such. No Un-authorized reproduction of this Document is permitted without the written consent of MicVac Mfg. Co. Inc.

Single Sensor/Shutter
1/8" Cooling Tubes
Part #700-011

1	Preliminary			
Rev	Description	ECN	Date	

Title: Single Sensor/Shutter		Date: 02-02-93	Scale: 1=1
All surfaces	Break all corners	Sheet 1 of 1	Dwg: 700-011
Tolerance: .XX ±.010	.XXX ±.005		Rev

Part #
700-062
700-063
700-065

700-066
700-088
700-125

This Drawing and the knowledge and information contained herein, is the Exclusive Property of McVac Mfg. Co. Inc. It is furnished with the understanding that the information contained is Confidential and Proprietary, and should be treated as such. No unauthorized reproduction of this Document is permitted without the written consent of McVac Mfg. Co. Inc.

**Right Angle Dual Sensor
1/8" O.D. Cooling Tubes
Part #700-062**

1	Preliminary			
Rev	Description	ECN	Date	

M cVac manufacturing, Inc.	
Title: Right Angle Dual Sensor	Date: 01-11-95
All surfaces	Scale: 1=2
Break all corners	
Tolerance: .XX ±.010	Sheet Dwg: 1 of 1 700-062
.XXX ±.005	Rev

This Drawing and the knowledge and information contained herein, is the Exclusive Property of McVac Mfg. Co. Inc. It is furnished with the understanding that the information contained is Confidential and Proprietary, and should be treated as such. No unauthorized reproduction of this Document is permitted without the written consent of McVac Mfg. Co. Inc.

**Right Angle Sensor
with 3/16" O.D. Cooling
Tubes
Part #700-066**

1	Preliminary			
Rev	Description	ECN	Date	

M cVac manufacturing, Inc.	
Title: Right Angle Sensor	Date: 1-15-95
All surfaces	Scale: 1=1
Break all corners	
Tolerance: .XX ±.010	Sheet Dwg: 1 of 1 700-066
.XXX ±.005	Rev

This Drawing and the knowledge and information contained herein, is the Exclusive Property of McVac Mfg. Co. Inc. It is furnished with the understanding that the information contained is Confidential and Proprietary, and should be treated as such. No unauthorized reproduction of this Document is permitted without the written consent of McVac Mfg. Co. Inc.

**Right Angle Dual Sensor/Shutter
3/16" O.D. Cooling Tubes
Part #700-063**

1	Preliminary			
Rev	Description	ECN	Date	

M cVac manufacturing, Inc.	
Title: Right Angle Dual Sensor	Date: 01-11-95
All surfaces	Scale: 1=2
Break all corners	
Tolerance: .XX ±.010	Sheet Dwg: 1 of 1 700-063
.XXX ±.005	Rev

This Drawing and the knowledge and information contained herein, is the Exclusive Property of McVac Mfg. Co. Inc. It is furnished with the understanding that the information contained is Confidential and Proprietary, and should be treated as such. No unauthorized reproduction of this Document is permitted without the written consent of McVac Mfg. Co. Inc.

**Single Sensor/Shutter
3/16" O.D. Cooling Tubes
Part #700-088**

1	Preliminary			
Rev	Description	ECN	Date	

M cVac manufacturing, Inc.	
Title: Single Sensor/Shutter	Date: 02-02-93
All surfaces	Scale: 1=1
Break all corners	
Tolerance: .XX ±.010	Sheet Dwg: 1 of 1 700-088
.XXX ±.005	Rev

This Drawing and the knowledge and information contained herein, is the Exclusive Property of McVac Mfg. Co. Inc. It is furnished with the understanding that the information contained is Confidential and Proprietary, and should be treated as such. No unauthorized reproduction of this Document is permitted without the written consent of McVac Mfg. Co. Inc.

**Right Angle Sensor
with 1/8" O.D. Cooling
Tubes
Part #700-065**

1	Preliminary			
Rev	Description	ECN	Date	

M cVac manufacturing, Inc.	
Title: Right Angle Sensor	Date: 1-15-95
All surfaces	Scale: 1=1
Break all corners	
Tolerance: .XX ±.010	Sheet Dwg: 1 of 1 700-065
.XXX ±.005	Rev

This Drawing and the knowledge and information contained herein, is the Exclusive Property of McVac Mfg. Co. Inc. It is furnished with the understanding that the information contained is Confidential and Proprietary, and should be treated as such. No unauthorized reproduction of this Document is permitted without the written consent of McVac Mfg. Co. Inc.

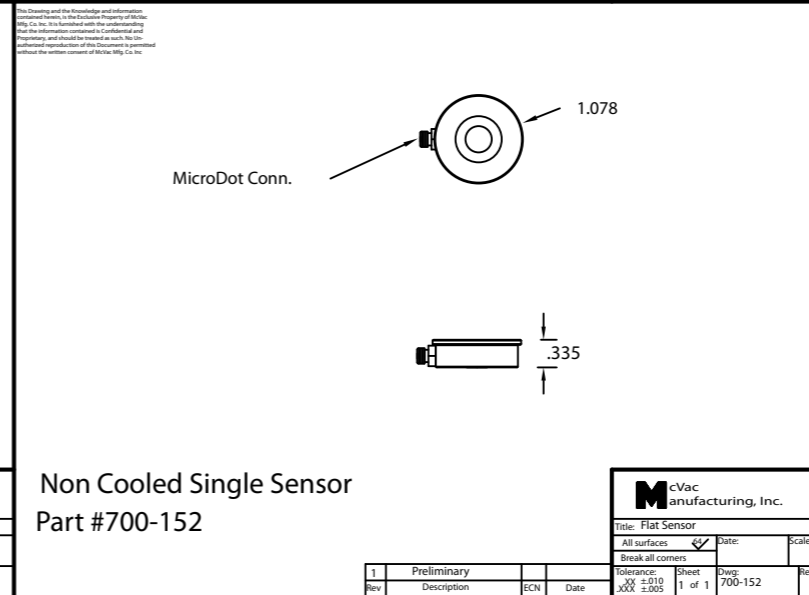
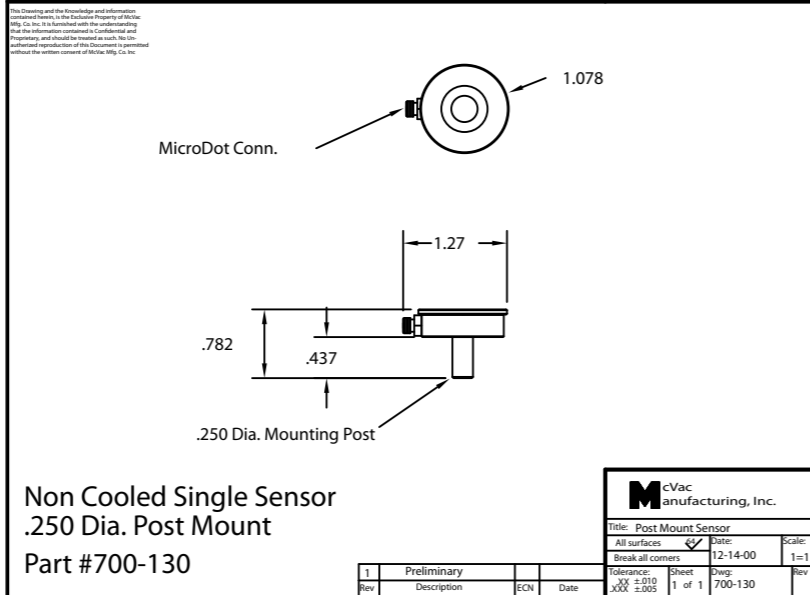
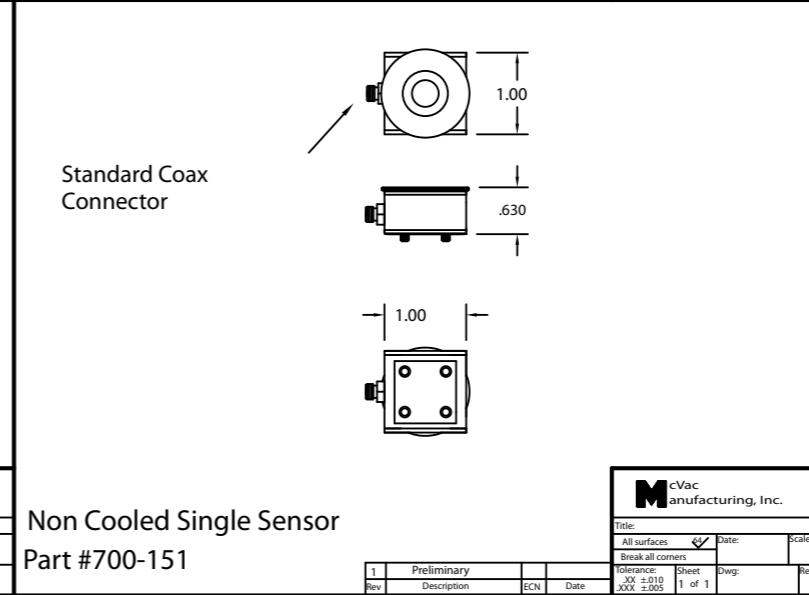
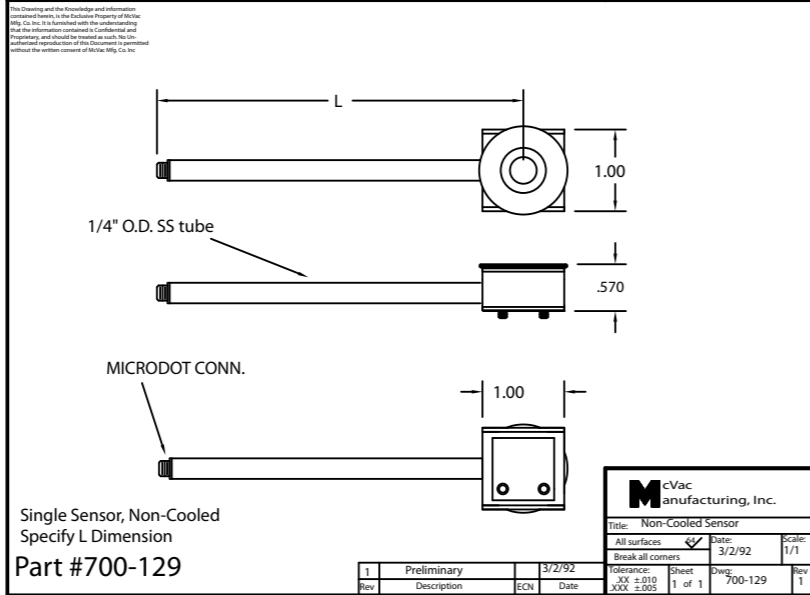
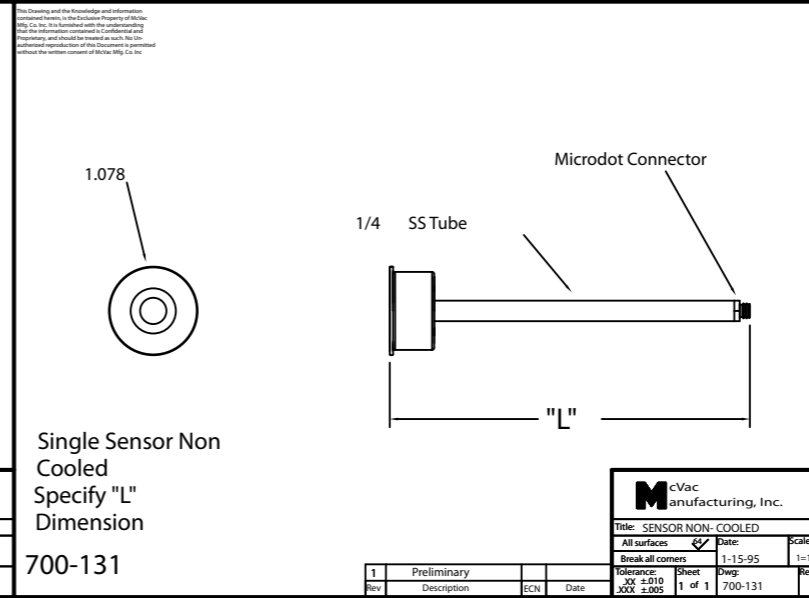
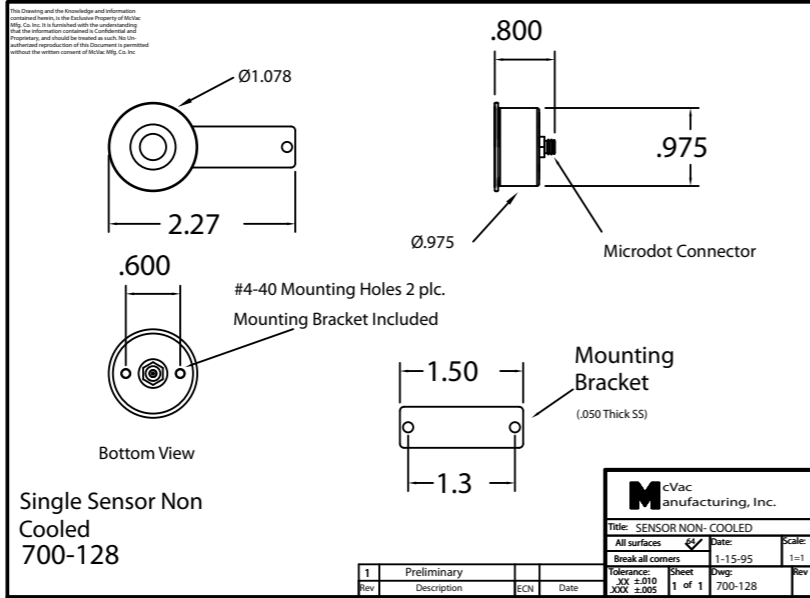
**Dual Sensor, 1 crystal Shuttered
Part# 700-125**

1	Preliminary			
Rev	Description	ECN	Date	

M cVac manufacturing, Inc.	
Title: Dual Sensor/Shutter	Date: 02-02-93
All surfaces	Scale: 1=1
Break all corners	
Tolerance: .XX ±.010	Sheet Dwg: 1 of 1 700-125
.XXX ±.005	Rev

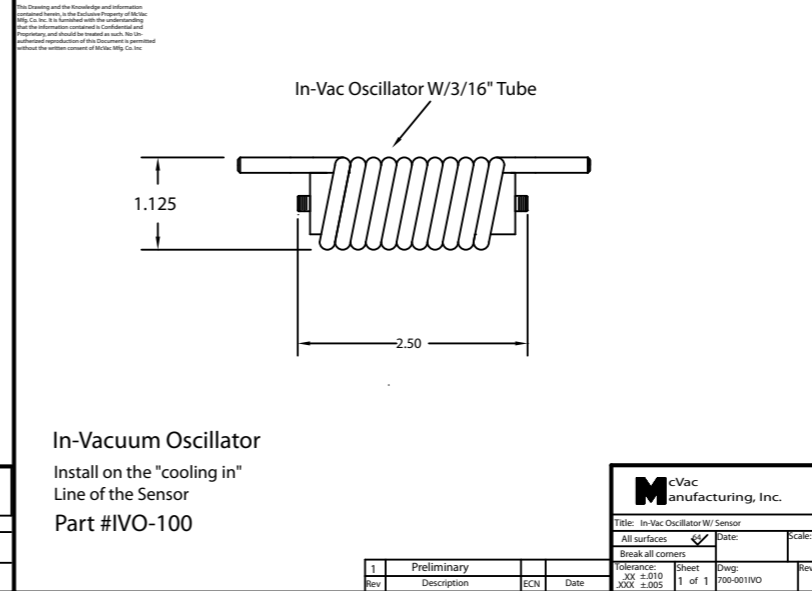
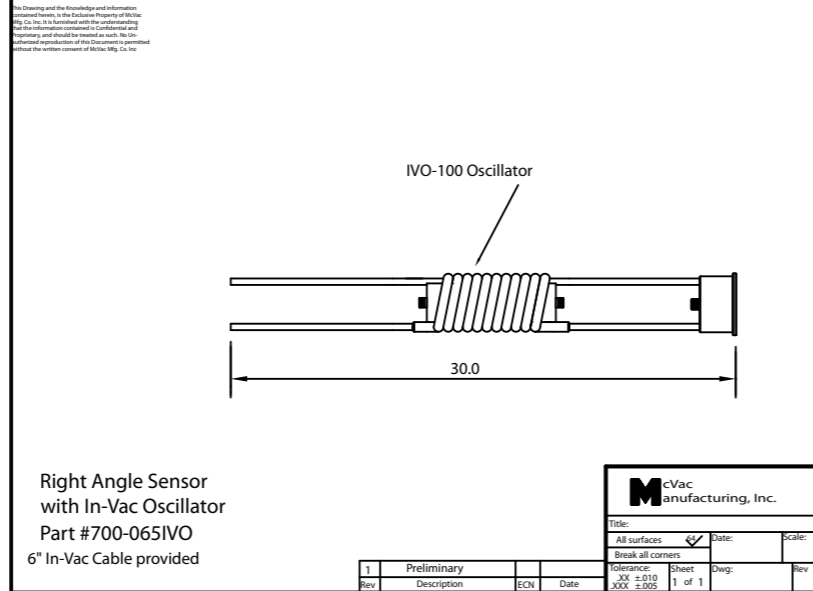
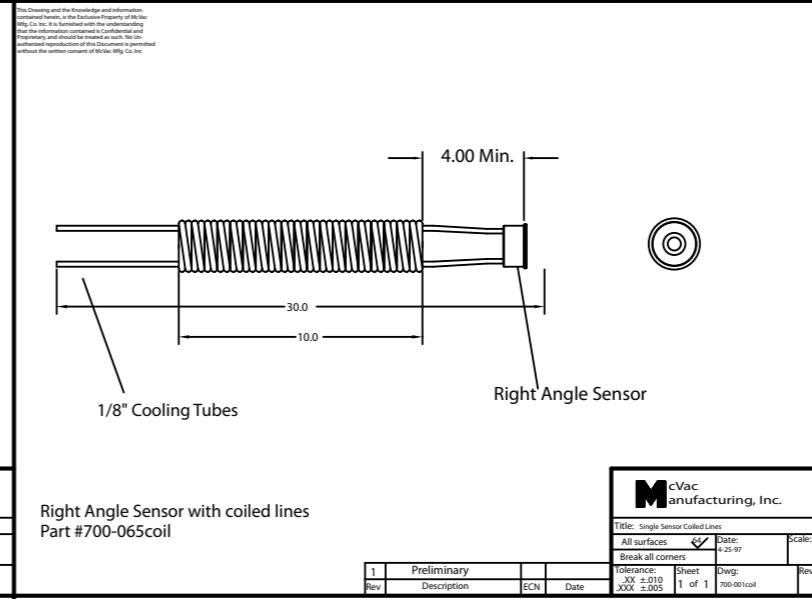
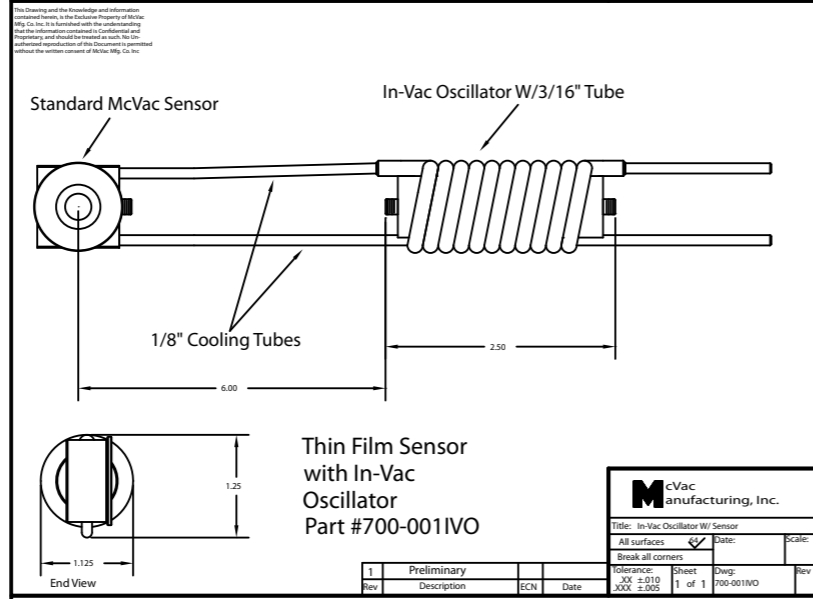
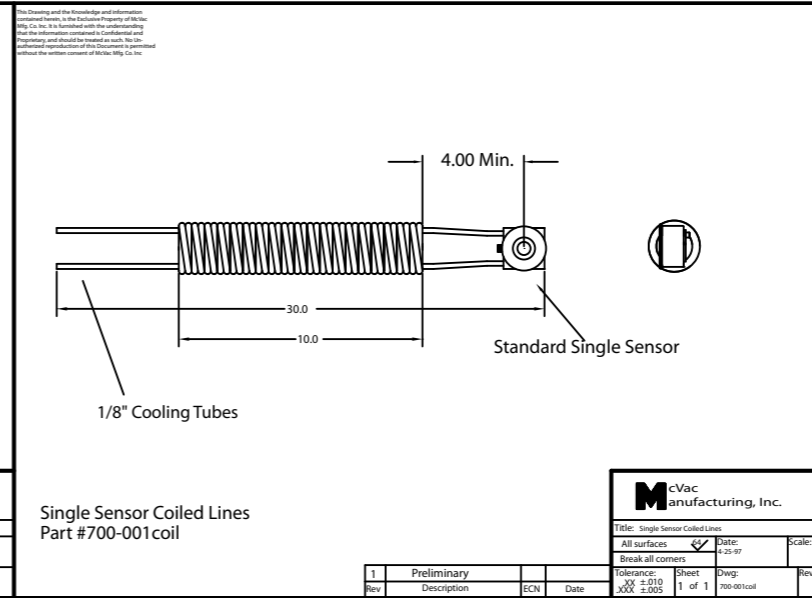
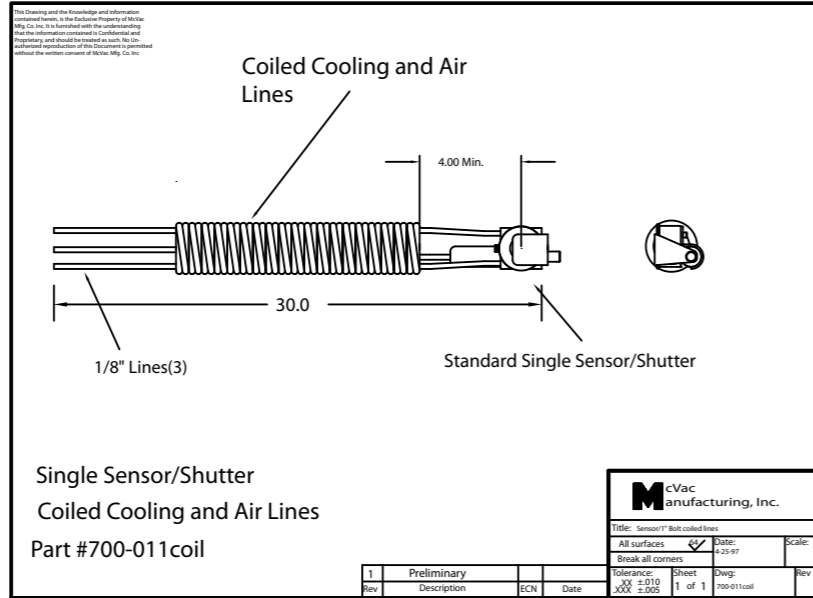
Part #
700-128
700-129
700-130

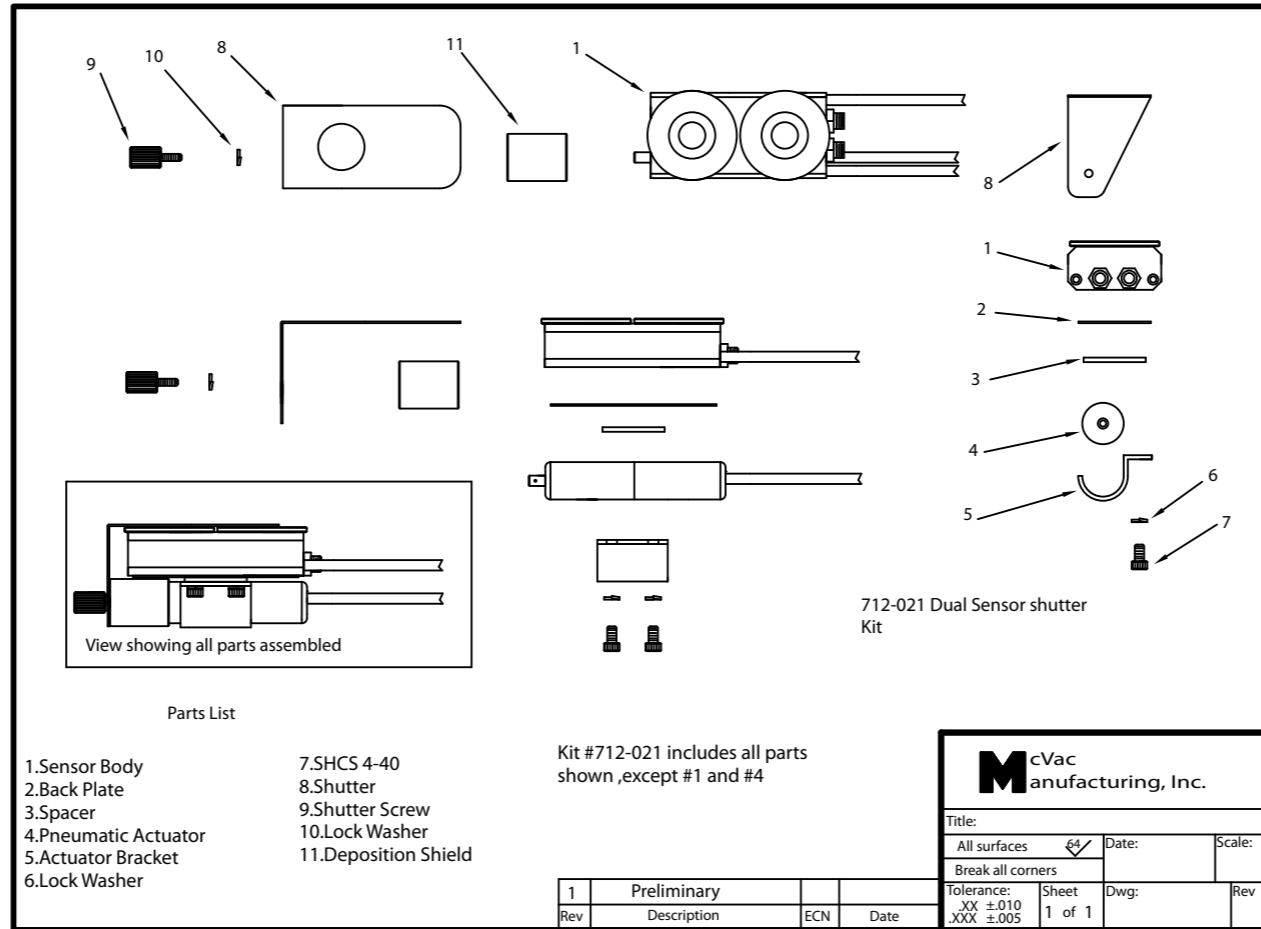
Part #
700-131
700-151
700-152



Part #
700-011Coiled
700-001IVO
700-065IVO

Part #
700-001Coil
700-065Coil
IVO-100

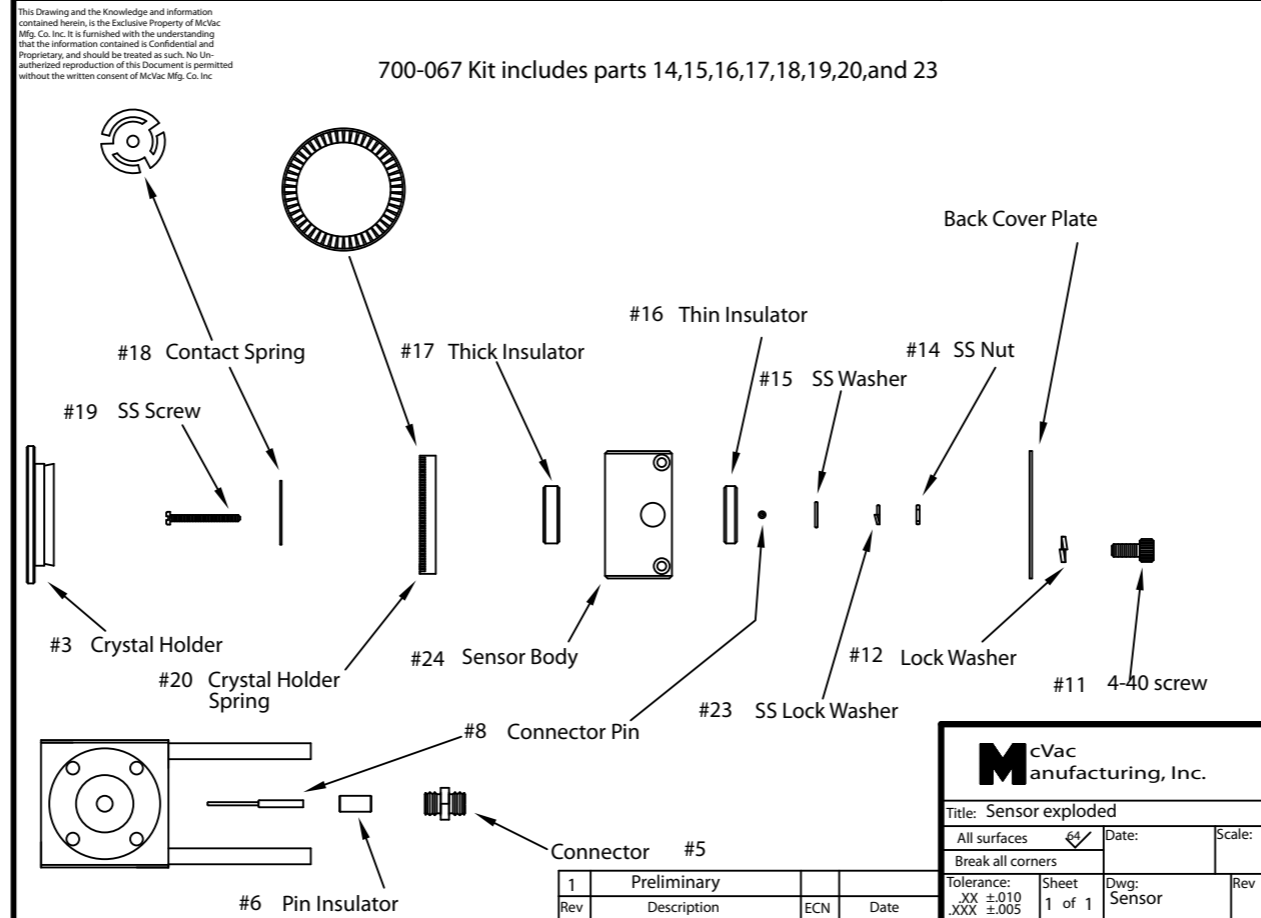




McVac Manufacturing, Inc.

Title:

All surfaces	✓	Date:	Scale:
Break all corners			
Tolerance:	Sheet	Dwg:	Rev
.XX ±.010	1 of 1		
.XXX ±.005			

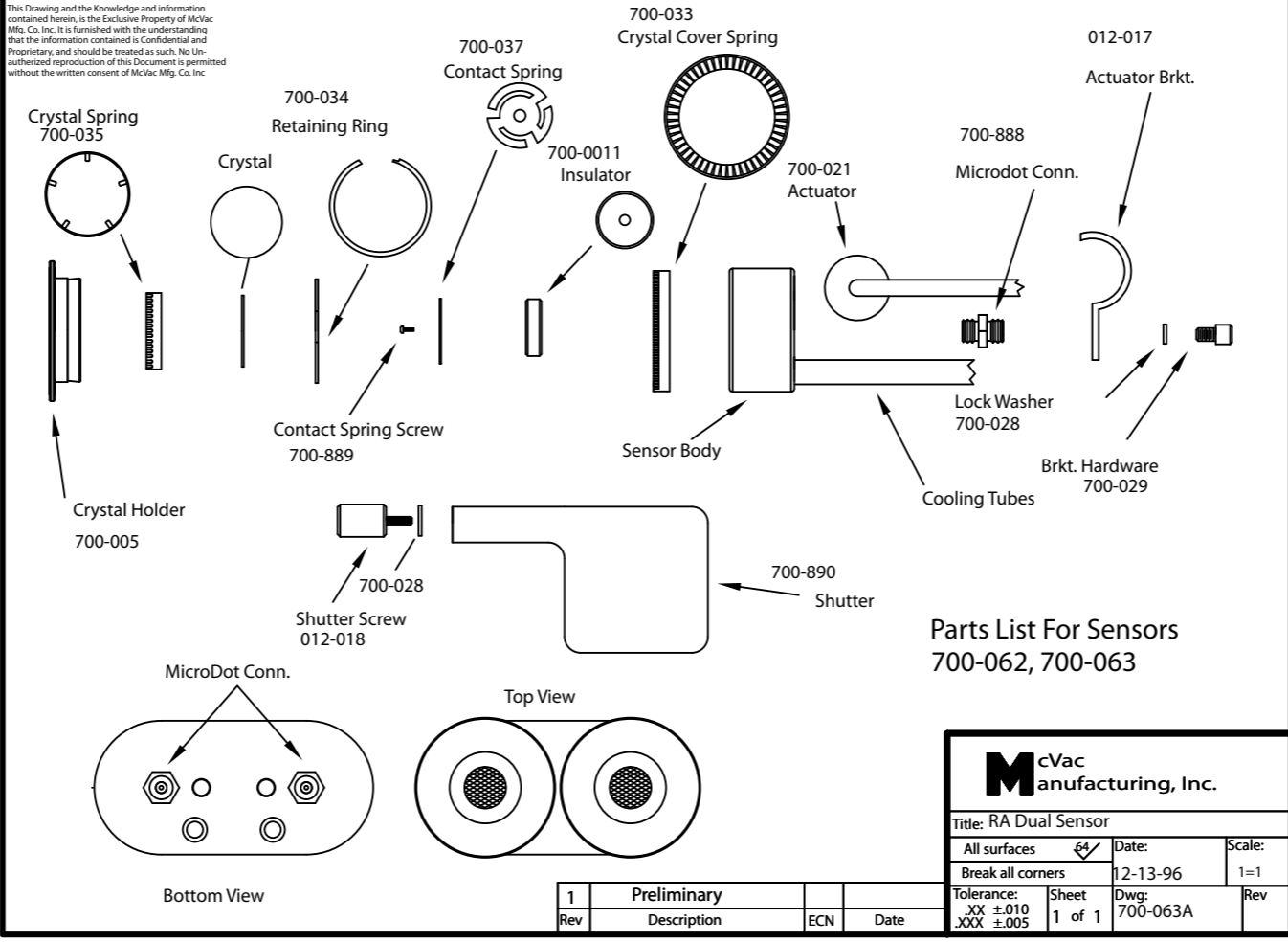
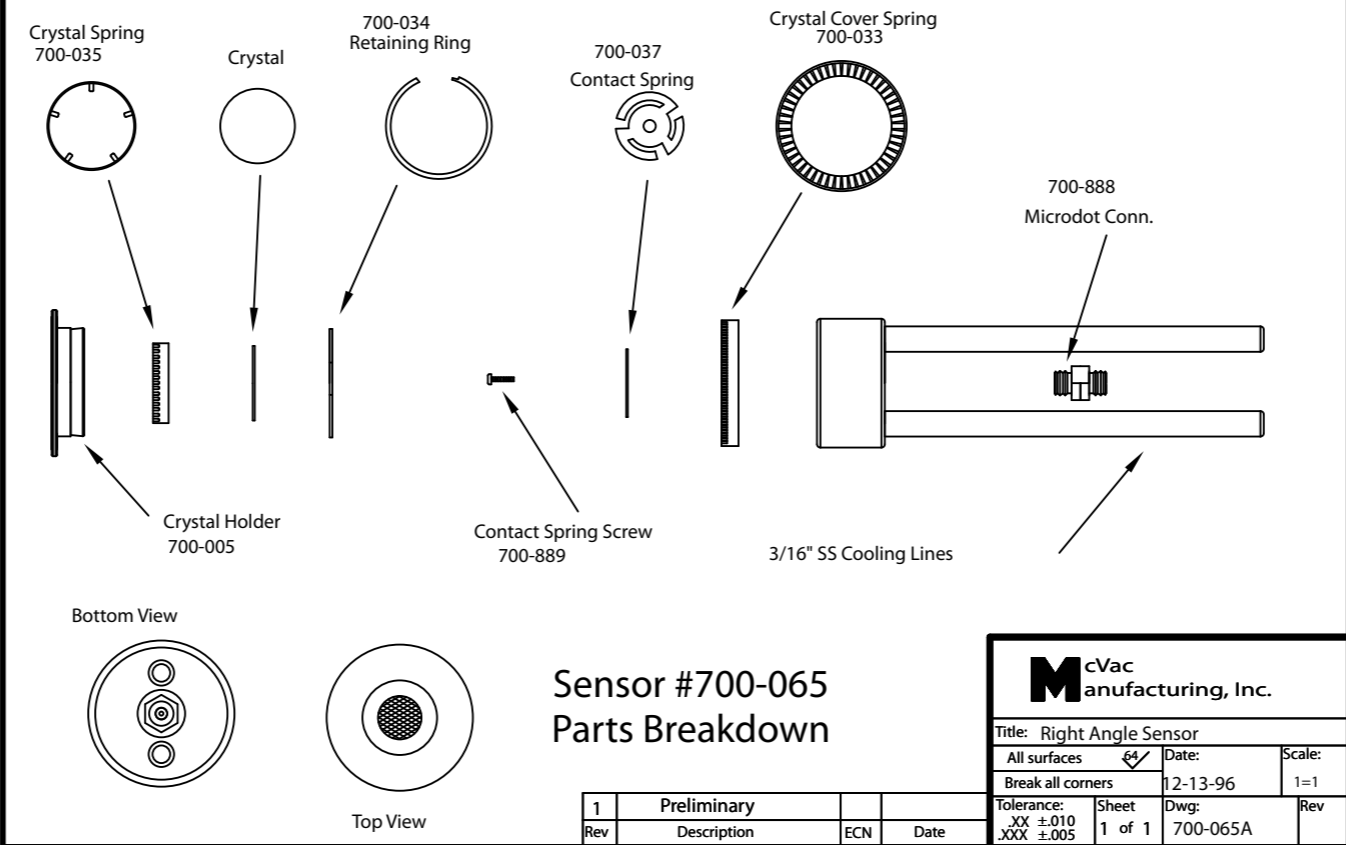


McVac Manufacturing, Inc.

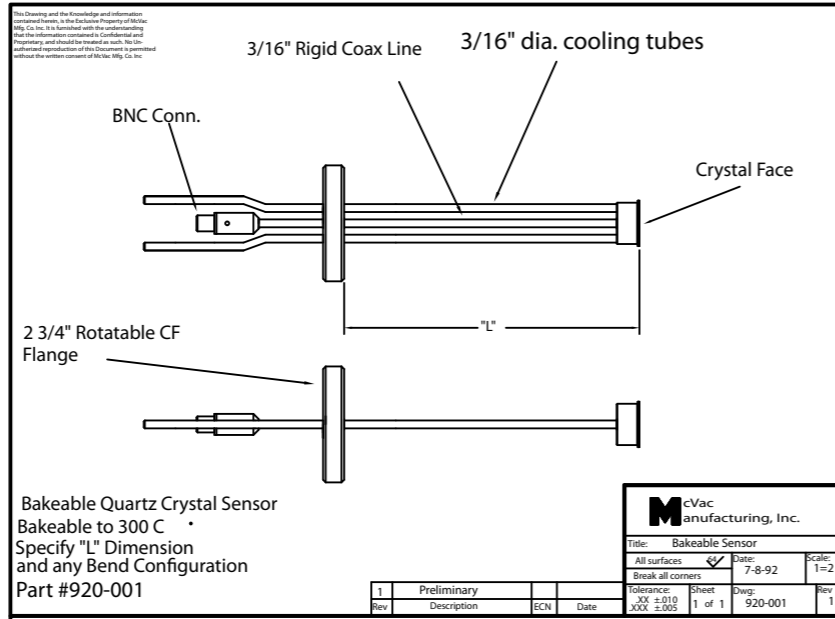
Title: Sensor exploded

All surfaces	✓	Date:	Scale:
Break all corners			
Tolerance:	Sheet	Dwg:	Rev
.XX ±.010	1 of 1	Sensor	
.XXX ±.005			

This Drawing and the Knowledge and Information contained herein, is the Exclusive Property of McVac Mfg. Co. Inc. It is furnished with the understanding that the information contained is Confidential and Proprietary, and should be treated as such. No Unauthorized reproduction of this Document is permitted without the written consent of McVac Mfg. Co. Inc.



Part #
920-001
920-002
920-003

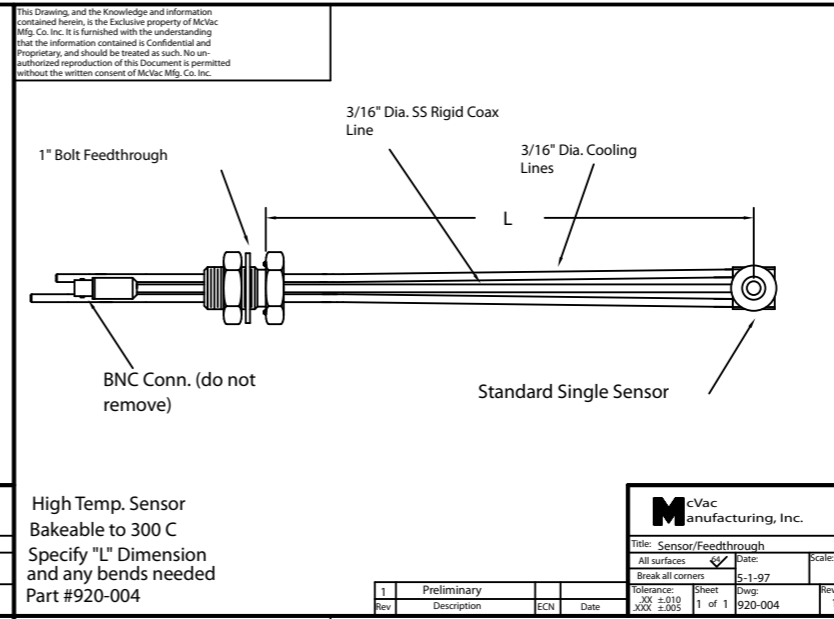


Bakeable Quartz Crystal Sensor
Bakeable to 300 C
Specify "L" Dimension
and any Bend Configuration
Part #920-001

1	Preliminary			
Rev	Description	ECN	Date	

M cVac manufacturing, Inc.	
Title: Bakeable Sensor	Date: 7-8-92
All surfaces <input checked="" type="checkbox"/>	Scale: 1=2
Break all corners	
Tolerance: XX ±.010	Sheet 1 of 1
XXX ±.005	Dwg: 920-001
	Rev 1

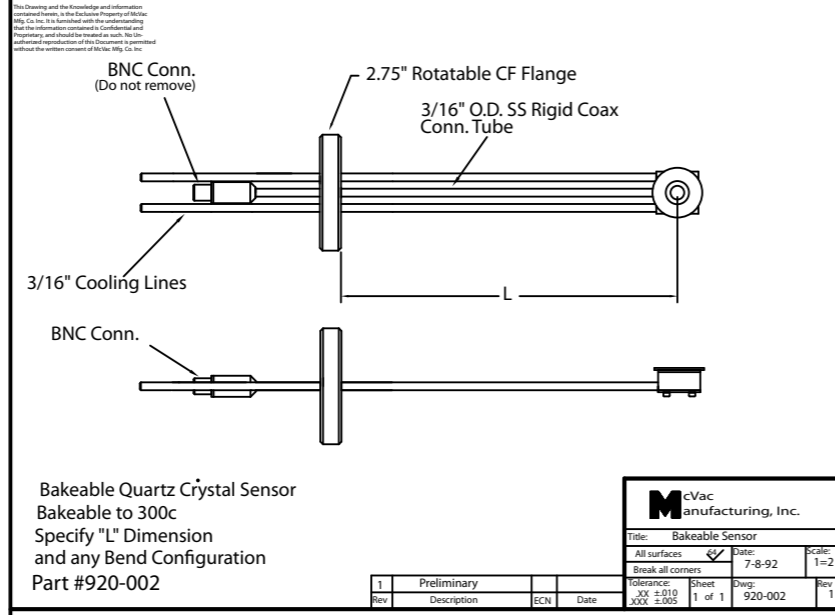
Part #
920-004
920-005
920-006



High Temp. Sensor
Bakeable to 300 C
Specify "L" Dimension
and any bends needed
Part #920-004

1	Preliminary			
Rev	Description	ECN	Date	

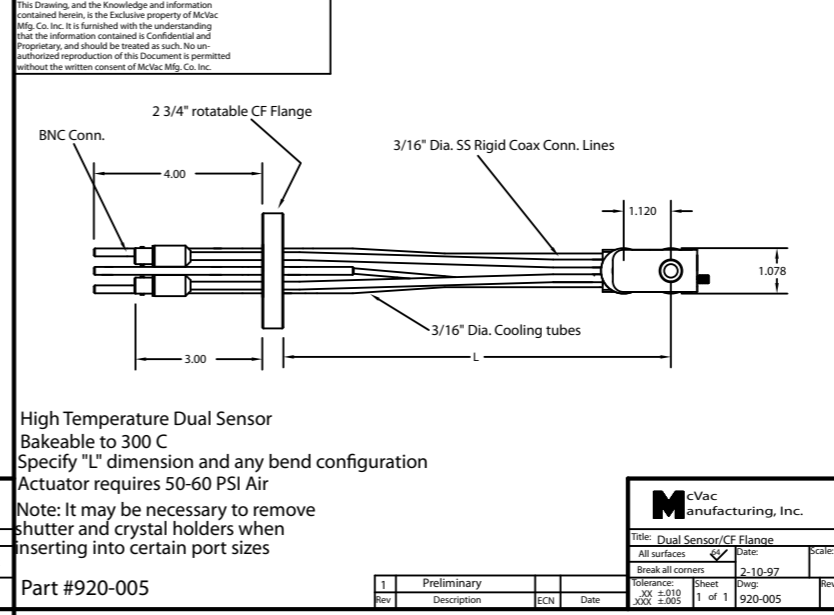
M cVac manufacturing, Inc.	
Title: Sensor/Feedthrough	Date: 5-1-97
All surfaces <input checked="" type="checkbox"/>	Scale:
Break all corners	
Tolerance: XX ±.010	Sheet 1 of 1
XXX ±.005	Dwg: 920-004
	Rev 1



Bakeable Quartz Crystal Sensor
Bakeable to 300c
Specify "L" Dimension
and any Bend Configuration
Part #920-002

1	Preliminary			
Rev	Description	ECN	Date	

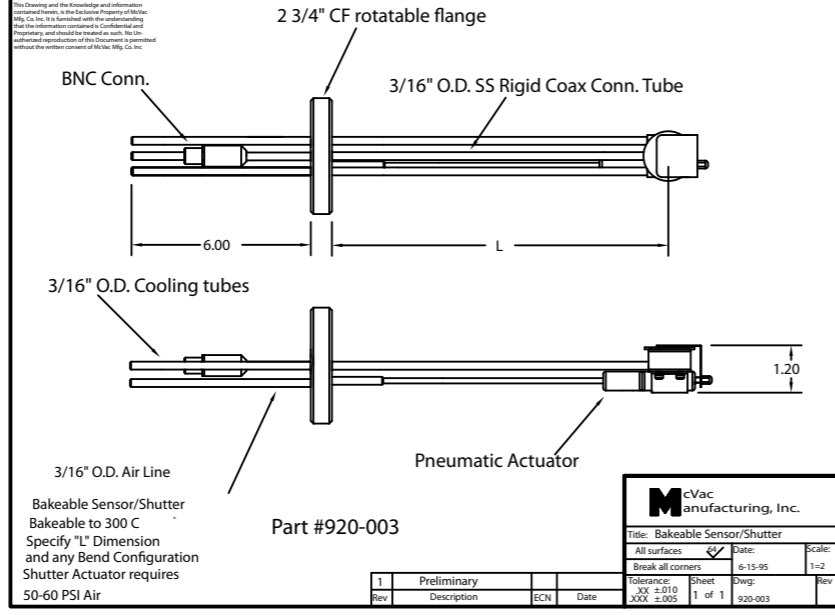
M cVac manufacturing, Inc.	
Title: Bakeable Sensor	Date: 7-8-92
All surfaces <input checked="" type="checkbox"/>	Scale: 1=2
Break all corners	
Tolerance: XX ±.010	Sheet 1 of 1
XXX ±.005	Dwg: 920-002
	Rev 1



High Temperature Dual Sensor
Bakeable to 300 C
Specify "L" dimension and any bend configuration
Actuator requires 50-60 PSI Air
Note: It may be necessary to remove
shutter and crystal holders when
inserting into certain port sizes
Part #920-005

1	Preliminary			
Rev	Description	ECN	Date	

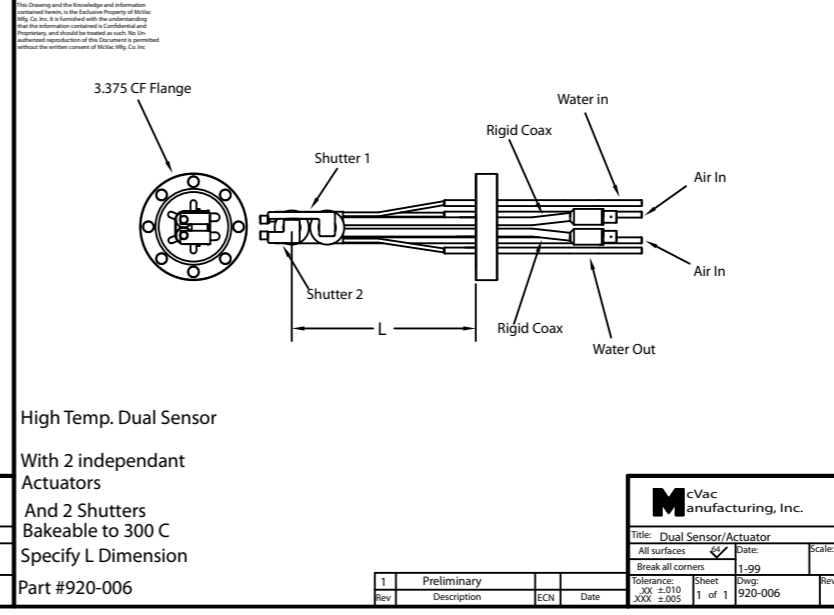
M cVac manufacturing, Inc.	
Title: Dual Sensor/CF Flange	Date: 2-10-97
All surfaces <input checked="" type="checkbox"/>	Scale:
Break all corners	
Tolerance: XX ±.010	Sheet 1 of 1
XXX ±.005	Dwg: 920-005
	Rev



Bakeable Sensor/Shutter
Bakeable to 300 C
Specify "L" Dimension
and any Bend Configuration
Shutter Actuator requires
50-60 PSI Air
Part #920-003

1	Preliminary			
Rev	Description	ECN	Date	

M cVac manufacturing, Inc.	
Title: Bakeable Sensor/Shutter	Date: 6-15-95
All surfaces <input checked="" type="checkbox"/>	Scale: 1=2
Break all corners	
Tolerance: XX ±.010	Sheet 1 of 1
XXX ±.005	Dwg: 920-003
	Rev



High Temp. Dual Sensor
With 2 independant
Actuators
And 2 Shutters
Bakeable to 300 C
Specify L Dimension
Part #920-006

1	Preliminary			
Rev	Description	ECN	Date	

M cVac manufacturing, Inc.	
Title: Dual Sensor/Actuator	Date: 1-99
All surfaces <input checked="" type="checkbox"/>	Scale:
Break all corners	
Tolerance: XX ±.010	Sheet 1 of 1
XXX ±.005	Dwg: 920-006
	Rev

Part #
800-001
800-002
800-003

Part #
800-004
800-005
800-006

This Drawing and the Knowledge and Information contained herein, is the Exclusive Property of McVac Mfg. Co. Inc. It is furnished with the understanding that the information contained is Confidential and Proprietary, and should be treated as such. No unauthorized reproduction of this Document is permitted without the written consent of McVac Mfg. Co. Inc.

Sensor/Feedthrough Welded
Specify L Dimension
In Vac Cable Included
Part# 800-001

1	Preliminary				
Rev	Description	ECN	Date	Sheet	Dwg.
				1 of 1	800-001

McVac
manufacturing, Inc.

Title: Sensor/Feedthrough
All surfaces Break all corners Date: 2-2-97 Scale: 1:1
Tolerance: .XX ±.010 Sheet Dwg: 1 of 1 XXX ±.005

This Drawing and the Knowledge and Information contained herein, is the Exclusive Property of McVac Mfg. Co. Inc. It is furnished with the understanding that the information contained is Confidential and Proprietary, and should be treated as such. No unauthorized reproduction of this Document is permitted without the written consent of McVac Mfg. Co. Inc.

Shuttered Sensor/ 2 3/4" CF Feedthrough
Part #800-004
includes cable

1	Preliminary				
Rev	Description	ECN	Date	Sheet	Dwg.
				1 of 1	800-004

McVac
manufacturing, Inc.

Title: Shuttered Sensor/CF
All surfaces Break all corners Date: Scale: 1:1
Tolerance: .XX ±.010 Sheet Dwg: 1 of 1 XXX ±.005

This Drawing and the Knowledge and Information contained herein, is the Exclusive Property of McVac Mfg. Co. Inc. It is furnished with the understanding that the information contained is Confidential and Proprietary, and should be treated as such. No unauthorized reproduction of this Document is permitted without the written consent of McVac Mfg. Co. Inc.

Sensor/Shutter/Feedthrough Welded
Specify L Dimension
In Vac Cable Included
Part# 800-002

1	Preliminary		3/2/92		
Rev	Description	ECN	Date	Sheet	Dwg.
				1 of 1	800-002

McVac
manufacturing, Inc.

Title: Single Sensor Shutter FT
All surfaces Break all corners Date: 2-11-97 Scale: 1:1
Tolerance: .XX ±.010 Sheet Dwg: 1 of 1 XXX ±.005

This Drawing and the Knowledge and Information contained herein, is the Exclusive Property of McVac Mfg. Co. Inc. It is furnished with the understanding that the information contained is Confidential and Proprietary, and should be treated as such. No unauthorized reproduction of this Document is permitted without the written consent of McVac Mfg. Co. Inc.

Dual Sensor/Shutter 1" Bolt Feedthrough
Specify L Dimension
In Vacuum Cables Included
Part# 800-005

1	Preliminary		3/2/92		
Rev	Description	ECN	Date	Sheet	Dwg.
				1 of 1	800-005

McVac
manufacturing, Inc.

Title: Dual Sensor Shutter FT
All surfaces Break all corners Date: 2-10-97 Scale: 1:1
Tolerance: .XX ±.010 Sheet Dwg: 1 of 1 XXX ±.005

This Drawing and the Knowledge and Information contained herein, is the Exclusive Property of McVac Mfg. Co. Inc. It is furnished with the understanding that the information contained is Confidential and Proprietary, and should be treated as such. No unauthorized reproduction of this Document is permitted without the written consent of McVac Mfg. Co. Inc.

Sensor/Feedthrough Welded
Specify L Dimension
In Vacuum Cable Included
Part# 800-003

1	Preliminary				
Rev	Description	ECN	Date	Sheet	Dwg.
				1 of 1	800-003

McVac
manufacturing, Inc.

Title: Sensor/Feedthrough
All surfaces Break all corners Date: 2-7-97 Scale: 1:1
Tolerance: .XX ±.010 Sheet Dwg: 1 of 1 XXX ±.005

This Drawing and the Knowledge and Information contained herein, is the Exclusive Property of McVac Mfg. Co. Inc. It is furnished with the understanding that the information contained is Confidential and Proprietary, and should be treated as such. No unauthorized reproduction of this Document is permitted without the written consent of McVac Mfg. Co. Inc.

Right Angle Dual Sensor on a 1" Bolt Feedthrough
Specify L Dimension
In Vacuum Cables Included
Part #800-006

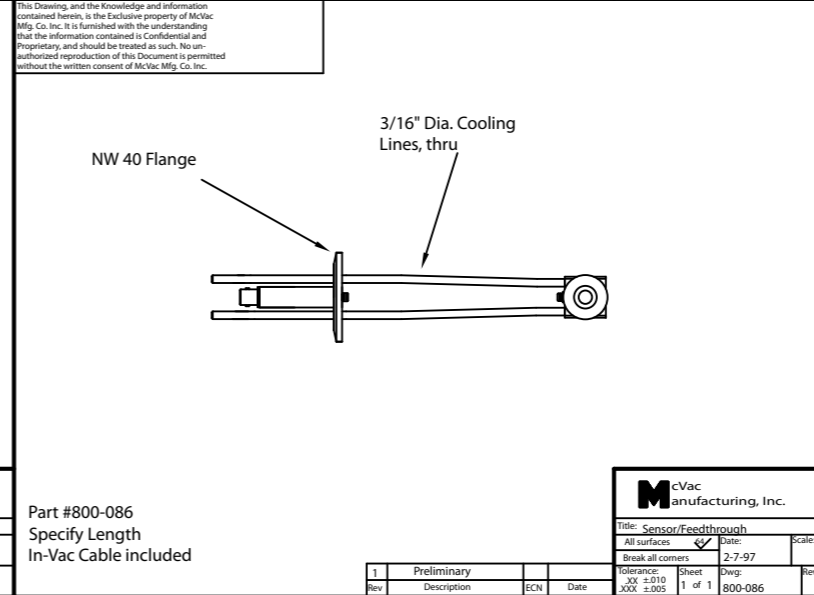
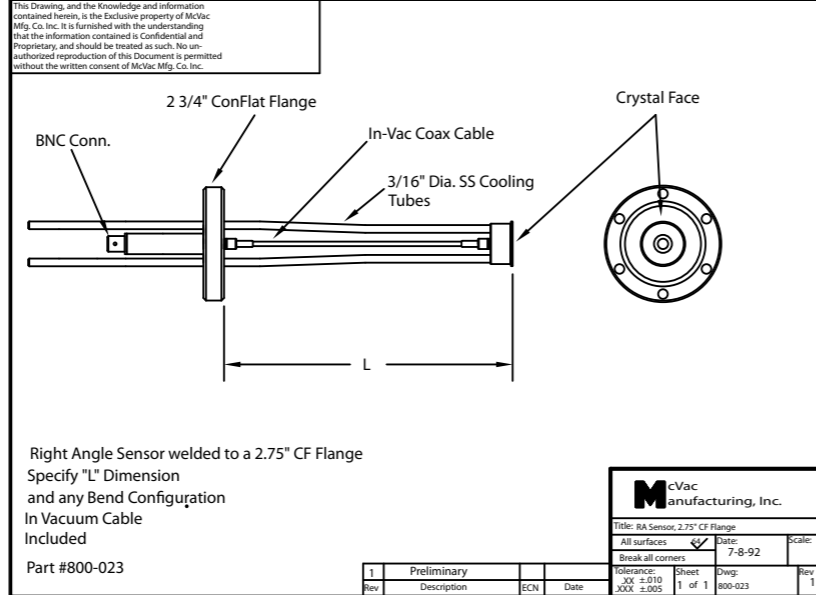
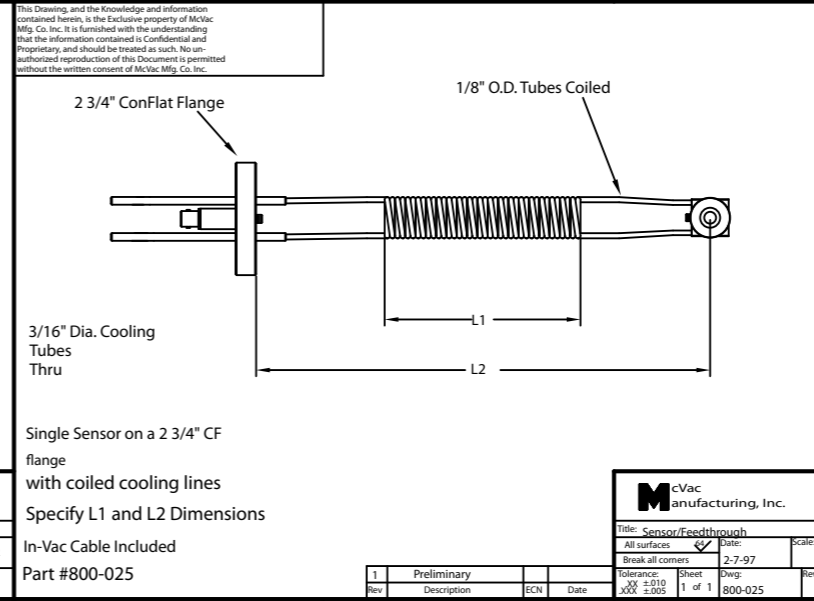
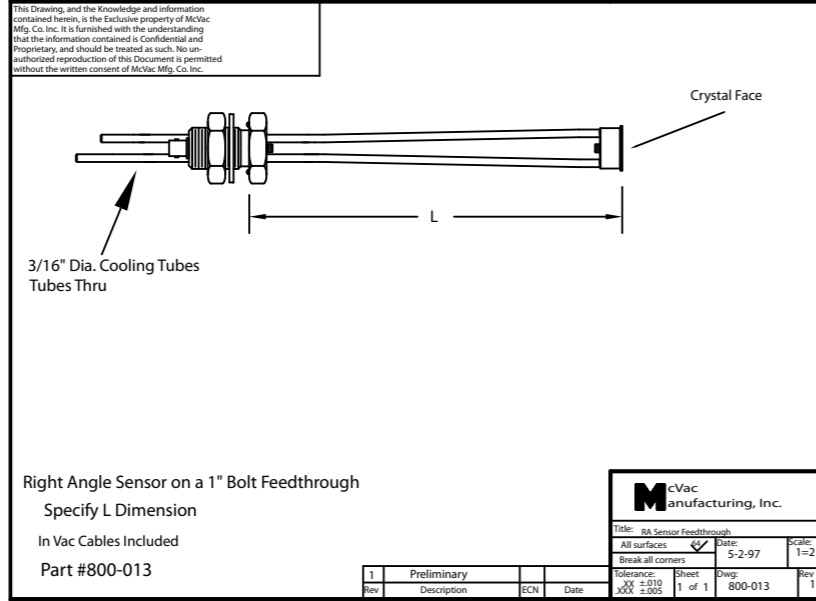
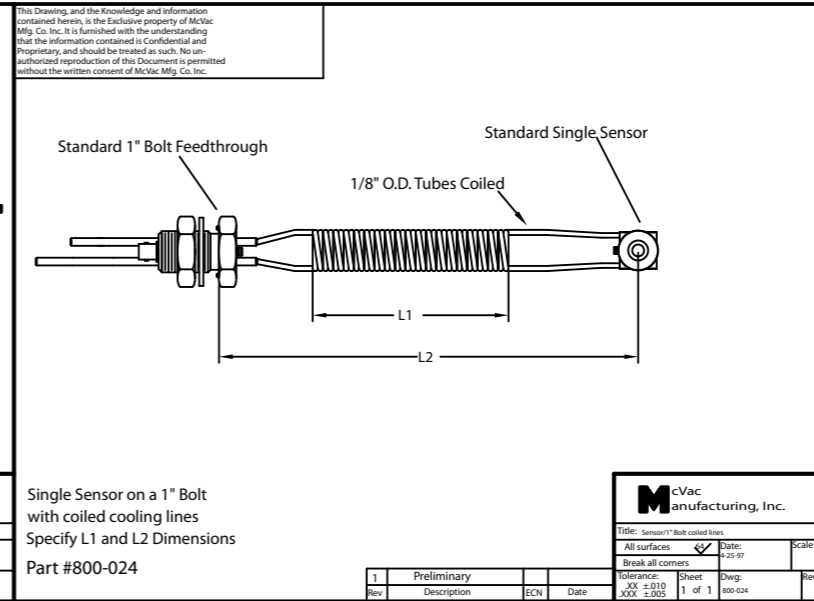
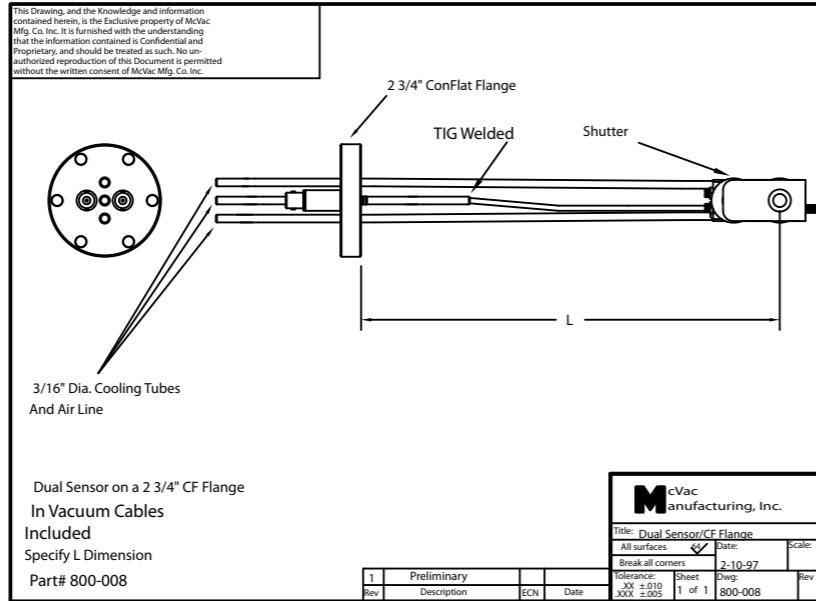
1	Preliminary				
Rev	Description	ECN	Date	Sheet	Dwg.
				1 of 1	800-006

McVac
manufacturing, Inc.

Title: Right Angle Dual Sensor
All surfaces Break all corners Date: 01-11-95 Scale: 1=2
Tolerance: .XX ±.010 Sheet Dwg: 1 of 1 XXX ±.005

Part #
800-008
800-013
800-023

Part #
800-024
800-025
800-086



Part #
800-087
800-088
800-089

800-090
800-001IVO
800-003IVO

This Drawing, and the Knowledge and information contained herein, is the Exclusive property of McVac Mfg. Co. Inc. It is furnished with the understanding that the information contained is Confidential and Proprietary, and should be treated as such. No unauthorized reproduction of this Document is permitted without the written consent of McVac Mfg. Co. Inc.

In-Vac Cable Included
Specify L Dimension
Part #800-087

1	Preliminary				
Rev	Description	ECN	Date	Sheet	Dwg.

Tolerance: .XX ±.010
.XXX ±.005

McVac manufacturing, Inc.
Title: Sensor/Feedthrough
All surfaces Date: 11-08-04
Break all corners Scale:
1 of 1

This Drawing, and the Knowledge and information contained herein, is the Exclusive property of McVac Mfg. Co. Inc. It is furnished with the understanding that the information contained is Confidential and Proprietary, and should be treated as such. No unauthorized reproduction of this Document is permitted without the written consent of McVac Mfg. Co. Inc.

In-Vacuum Oscillator
Specify "L" Dimension
Price Includes 2 Cables
Part #800-090

1	Preliminary				
Rev	Description	ECN	Date	Sheet	Dwg.

Tolerance: .XX ±.010
.XXX ±.005

McVac manufacturing, Inc.
Title: 1" Bolt In-Vac Oscillator
All surfaces Date: 1-25-97
Break all corners Scale:
1 of 1

This Drawing, and the Knowledge and information contained herein, is the Exclusive property of McVac Mfg. Co. Inc. It is furnished with the understanding that the information contained is Confidential and Proprietary, and should be treated as such. No unauthorized reproduction of this Document is permitted without the written consent of McVac Mfg. Co. Inc.

Part #800-088
Specify Length
In-Vac Cable included

1	Preliminary				
Rev	Description	ECN	Date	Sheet	Dwg.

Tolerance: .XX ±.010
.XXX ±.005

McVac manufacturing, Inc.
Title: Sensor/Feedthrough
All surfaces Date: 11-08-04
Break all corners Scale:
1 of 1

This Drawing, and the Knowledge and information contained herein, is the Exclusive property of McVac Mfg. Co. Inc. It is furnished with the understanding that the information contained is Confidential and Proprietary, and should be treated as such. No unauthorized reproduction of this Document is permitted without the written consent of McVac Mfg. Co. Inc.

Sensor on a 1" Bolt With
In-Vac Oscillator
In-Vac Cables Included
Specify L Dimension
Part #800-001IVO

1	Preliminary				
Rev	Description	ECN	Date	Sheet	Dwg.

Tolerance: .XX ±.010
.XXX ±.005

McVac manufacturing, Inc.
Title: Single Sensor/1" Bolt IVO
All surfaces Date: 1-25-97
Break all corners Scale:
1 of 1

This Drawing, and the Knowledge and information contained herein, is the Exclusive property of McVac Mfg. Co. Inc. It is furnished with the understanding that the information contained is Confidential and Proprietary, and should be treated as such. No unauthorized reproduction of this Document is permitted without the written consent of McVac Mfg. Co. Inc.

In-Vac Cable Included
Specify L Dimension
Part #800-089

1	Preliminary				
Rev	Description	ECN	Date	Sheet	Dwg.

Tolerance: .XX ±.010
.XXX ±.005

McVac manufacturing, Inc.
Title: Sensor/Feedthrough
All surfaces Date: 11-08-04
Break all corners Scale:
1 of 1

This Drawing, and the Knowledge and information contained herein, is the Exclusive property of McVac Mfg. Co. Inc. It is furnished with the understanding that the information contained is Confidential and Proprietary, and should be treated as such. No unauthorized reproduction of this Document is permitted without the written consent of McVac Mfg. Co. Inc.

Part #800-003IVO
Sensor on a 2 3/4" CF With
In-Vac Oscillator
In-Vac Cables Included
Specify L Dimension

1	Preliminary				
Rev	Description	ECN	Date	Sheet	Dwg.

Tolerance: .XX ±.010
.XXX ±.005

McVac manufacturing, Inc.
Title: Single Sensor/1" Bolt IVO
All surfaces Date: 1-25-97
Break all corners Scale:
1 of 1

Part #
850-001
850-002
850-003

Part #
850-004
850-005
860-006

This Drawing and the Knowledge and Information contained herein, is the Exclusive Property of McVac Manufacturing, Inc. It is furnished with the understanding that the information contained is Confidential and Proprietary, and should be treated as such. No Un-authorized reproduction of this Document is permitted without the written consent of McVac Manufacturing, Inc.

1" Bolt With Male VCR Fittings both sides
Part #850-001

1	Preliminary			
Rev	Description	ECN	Date	

McVac manufacturing, Inc.
Title: 1" Bolt-male VCR
All surfaces Date: _____ Scale: _____
Break all corners
Tolerance: XX ±.010 Sheet Dwg: 1 of 1 850-001
XXX ±.005

This Drawing and the Knowledge and Information contained herein, is the Exclusive Property of McVac Manufacturing, Inc. It is furnished with the understanding that the information contained is Confidential and Proprietary, and should be treated as such. No Un-authorized reproduction of this Document is permitted without the written consent of McVac Manufacturing, Inc.

NW 25 Flange With 1/4" Male VCR Fittings Both Sides
Part #850-004

1	Preliminary			
Rev	Description	ECN	Date	

McVac manufacturing, Inc.
Title: NW-25 Flange
All surfaces Date: _____ Scale: _____
Break all corners
Tolerance: XX ±.010 Sheet Dwg: 1 of 1 850-004
XXX ±.005

This Drawing and the Knowledge and Information contained herein, is the Exclusive Property of McVac Manufacturing, Inc. It is furnished with the understanding that the information contained is Confidential and Proprietary, and should be treated as such. No Un-authorized reproduction of this Document is permitted without the written consent of McVac Manufacturing, Inc.

2 3/4" CF Flange with 1/4" Male VCR Fittings Both Sides
Part #850-002

1	Preliminary			
Rev	Description	ECN	Date	

McVac manufacturing, Inc.
Title: 2 3/4" Conflat Flange
All surfaces Date: _____ Scale: _____
Break all corners
Tolerance: XX ±.010 Sheet Dwg: 1 of 1 850-002
XXX ±.005

This Drawing and the Knowledge and Information contained herein, is the Exclusive Property of McVac Manufacturing, Inc. It is furnished with the understanding that the information contained is Confidential and Proprietary, and should be treated as such. No Un-authorized reproduction of this Document is permitted without the written consent of McVac Manufacturing, Inc.

2 3/4" CF Flange with 2 1/4" Male VCR Fittings Both Sides
Part #850-005

1	Preliminary			
Rev	Description	ECN	Date	

McVac manufacturing, Inc.
Title: 2 3/4" Conflat Flange
All surfaces Date: _____ Scale: _____
Break all corners
Tolerance: XX ±.010 Sheet Dwg: 1 of 1 850-005
XXX ±.005

This Drawing and the Knowledge and Information contained herein, is the Exclusive Property of McVac Manufacturing, Inc. It is furnished with the understanding that the information contained is Confidential and Proprietary, and should be treated as such. No Un-authorized reproduction of this Document is permitted without the written consent of McVac Manufacturing, Inc.

NW 40 Flange With 1/4" Male VCR Fittings both sides
Part #850-003

1	Preliminary			
Rev	Description	ECN	Date	

McVac manufacturing, Inc.
Title: NW-40 Flange
All surfaces Date: _____ Scale: _____
Break all corners
Tolerance: XX ±.010 Sheet Dwg: 1 of 1 850-003
XXX ±.005

This Drawing and the Knowledge and Information contained herein, is the Exclusive Property of McVac Manufacturing, Inc. It is furnished with the understanding that the information contained is Confidential and Proprietary, and should be treated as such. No Un-authorized reproduction of this Document is permitted without the written consent of McVac Manufacturing, Inc.

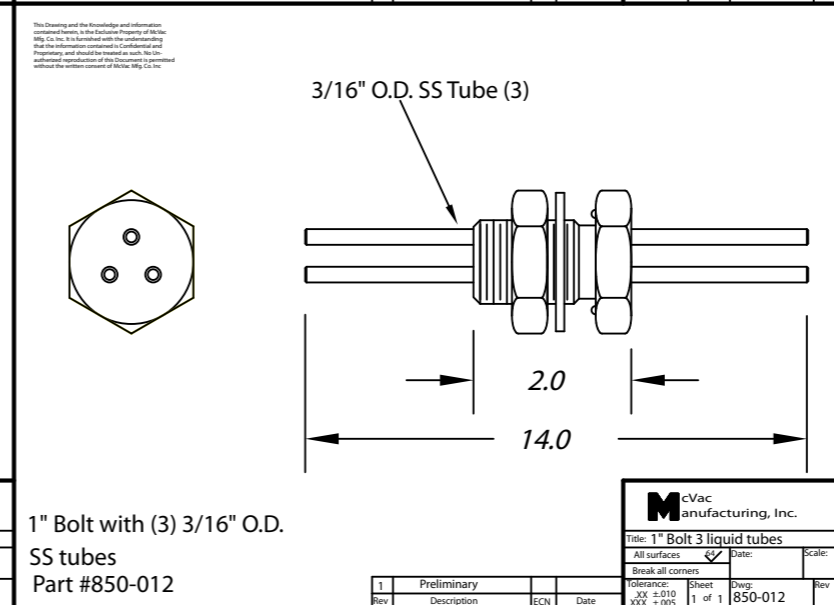
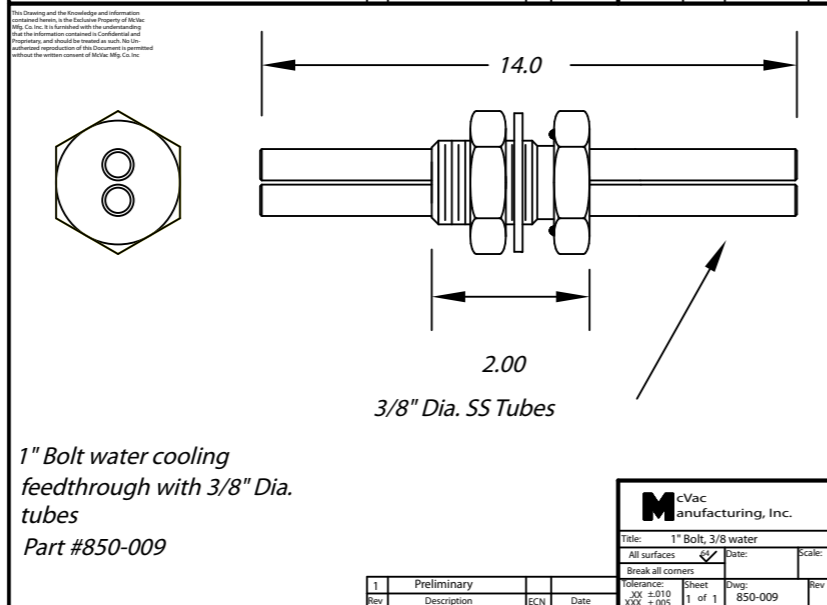
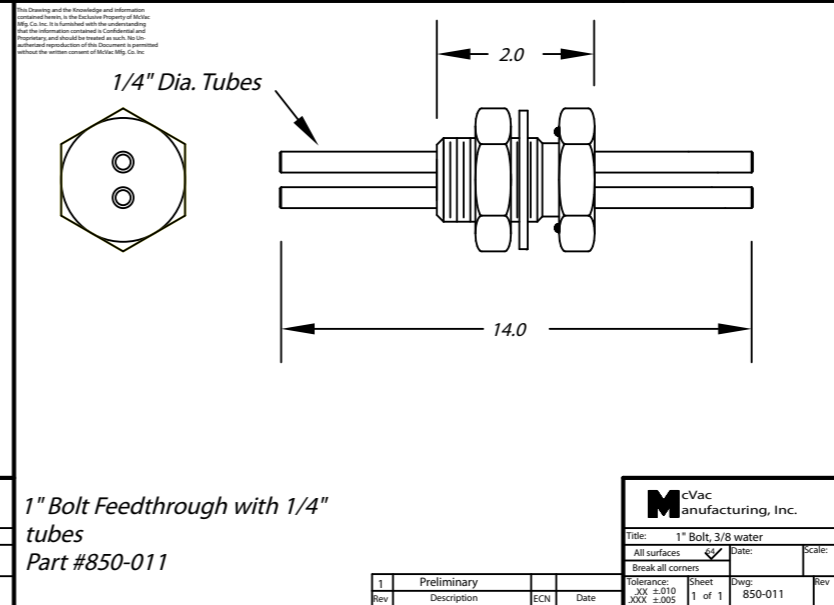
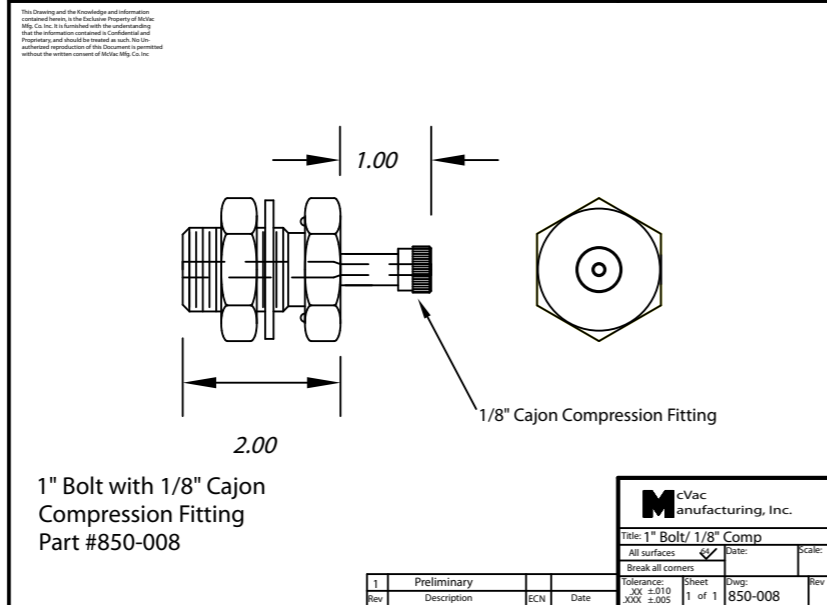
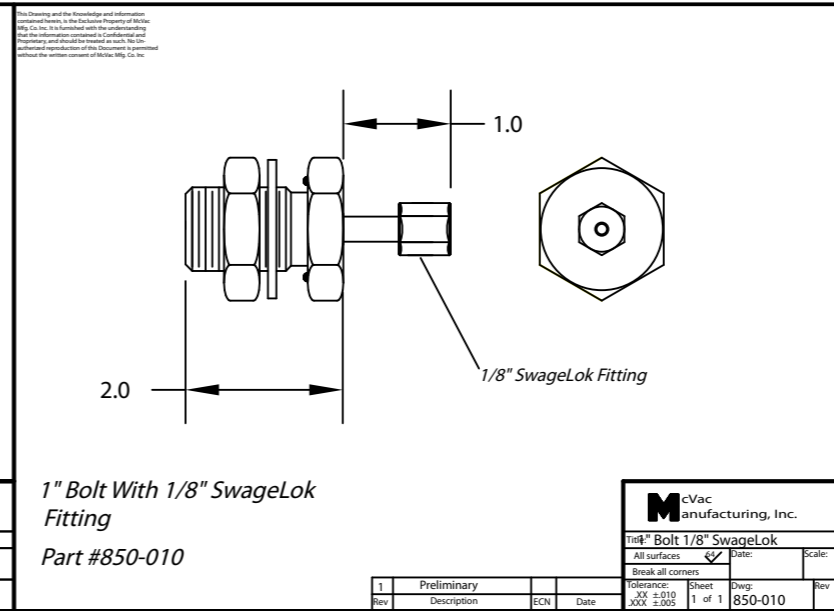
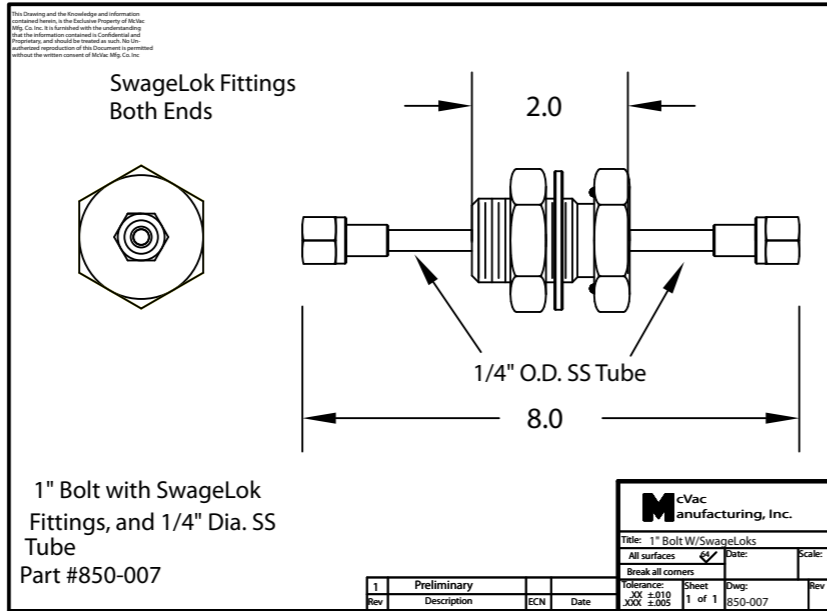
2 3/4" CF Flange with 2 1/4" Male VCR Fittings Both Sides
Part #850-006

1	Preliminary			
Rev	Description	ECN	Date	

McVac manufacturing, Inc.
Title: NW-40 Feedthrough
All surfaces Date: _____ Scale: _____
Break all corners
Tolerance: XX ±.010 Sheet Dwg: 1 of 1 850-006
XXX ±.005

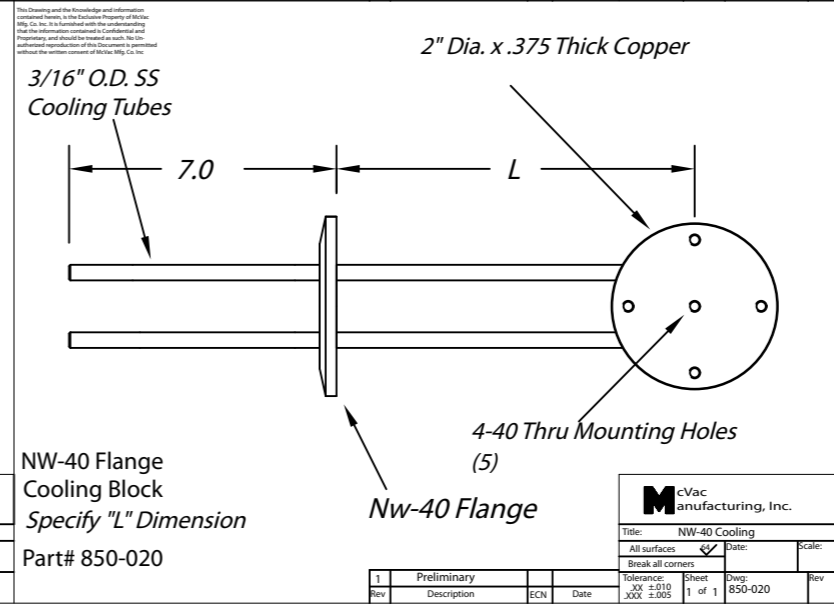
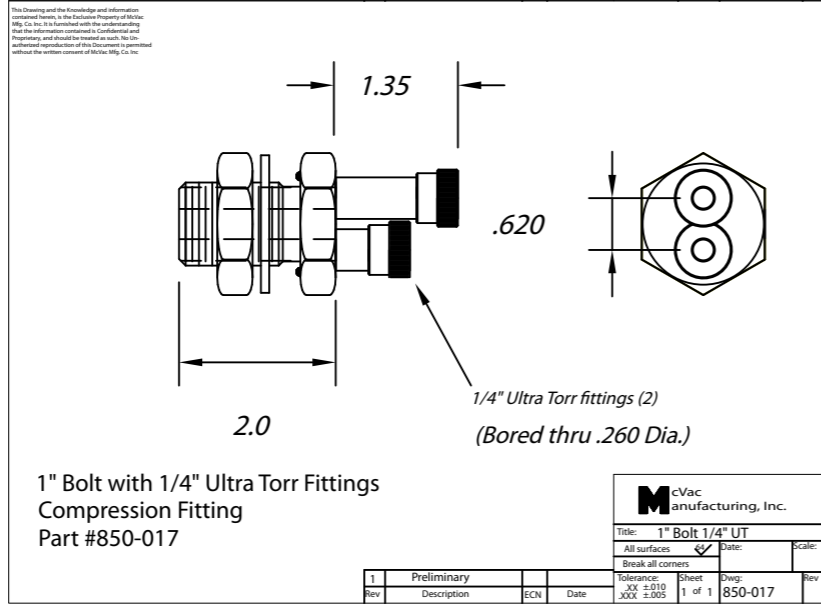
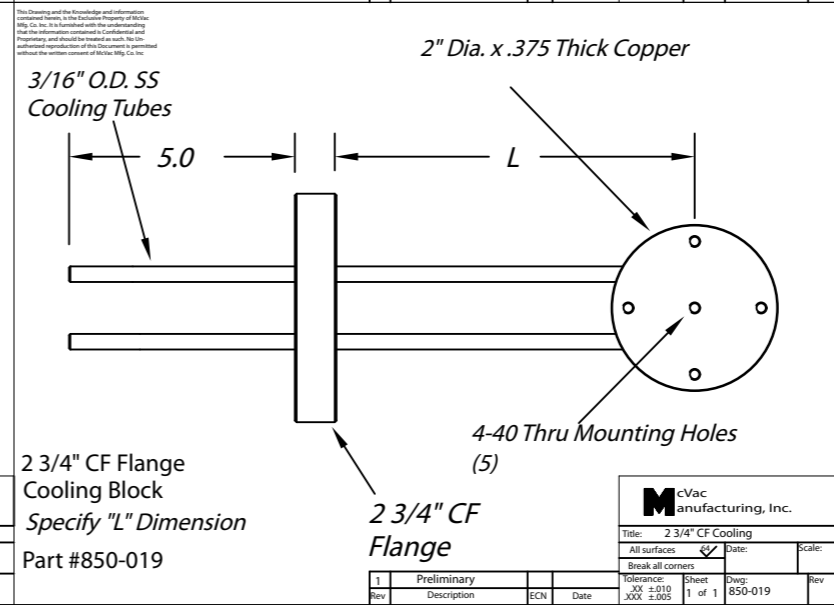
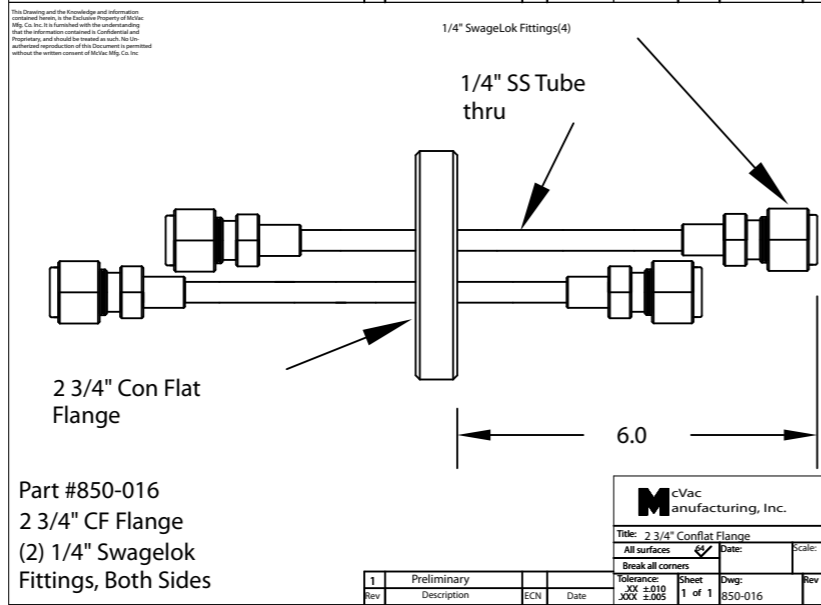
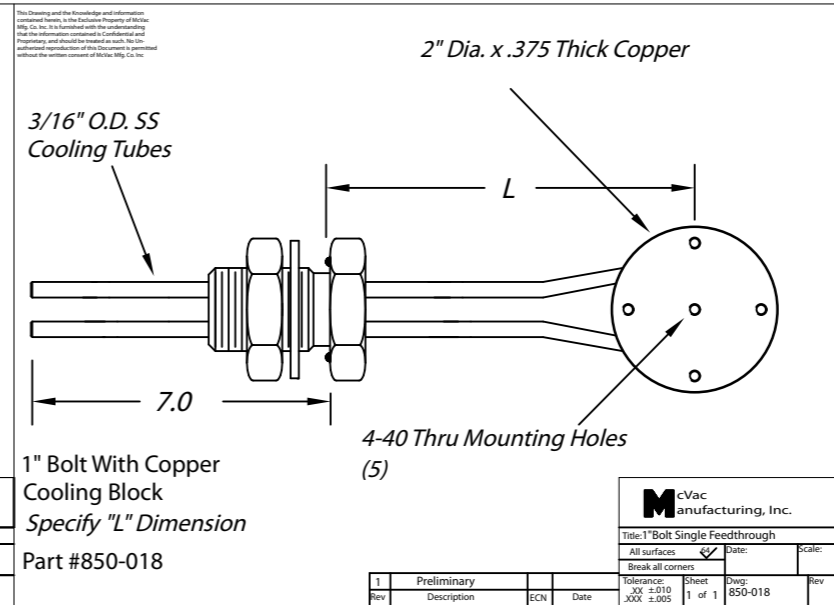
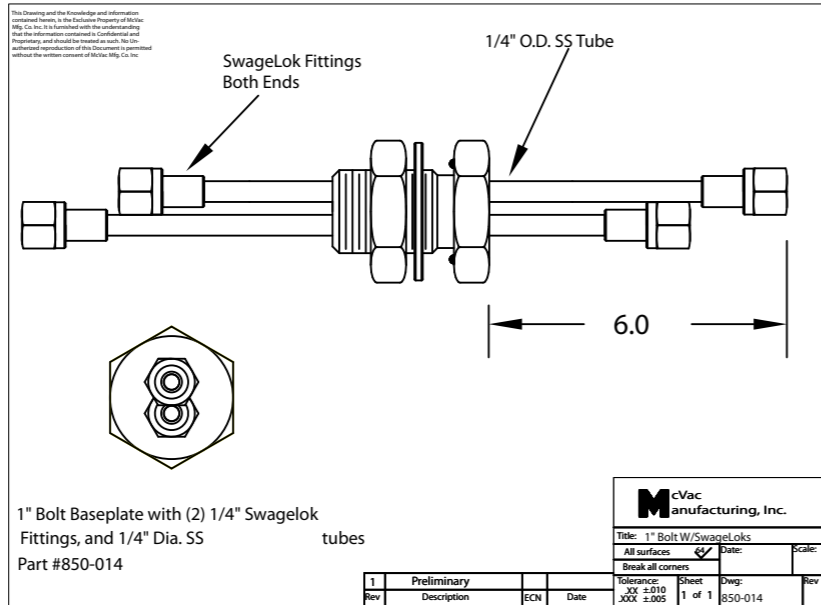
Part #
850-007
850-008
850-009

Part#
850-010
850-011
850-012



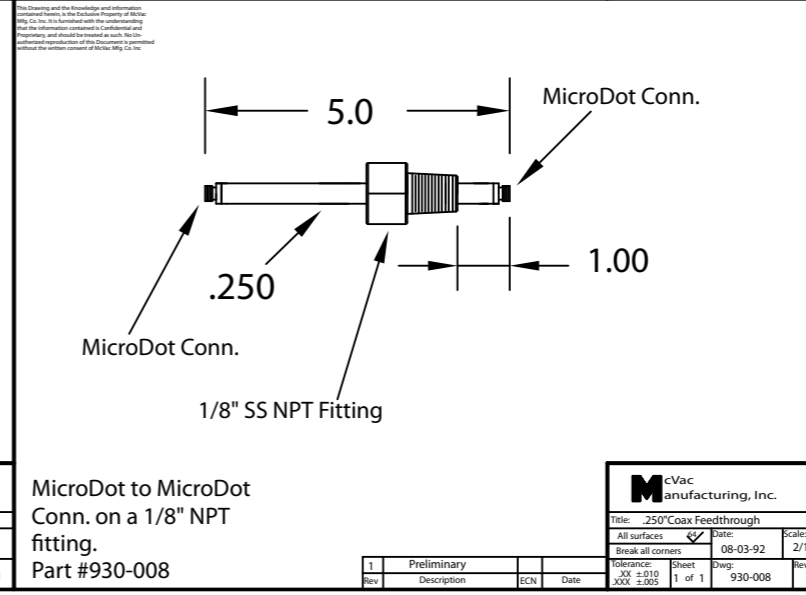
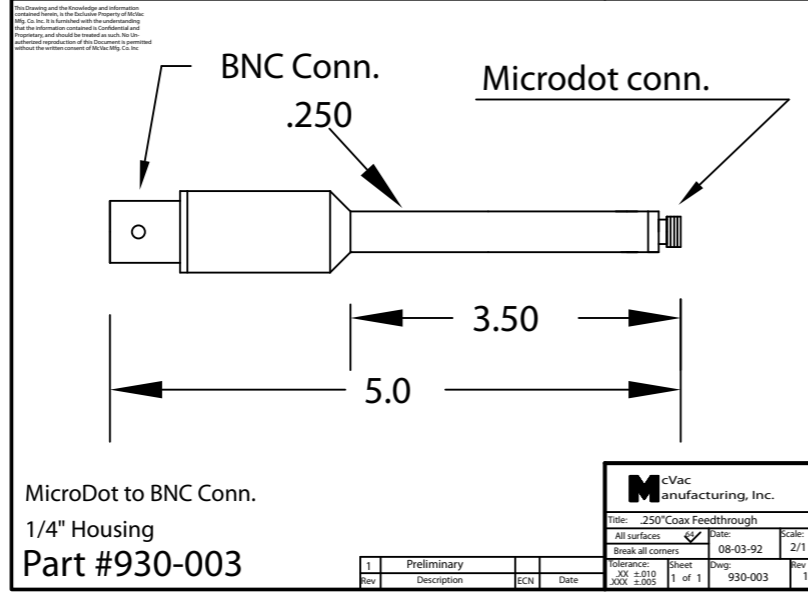
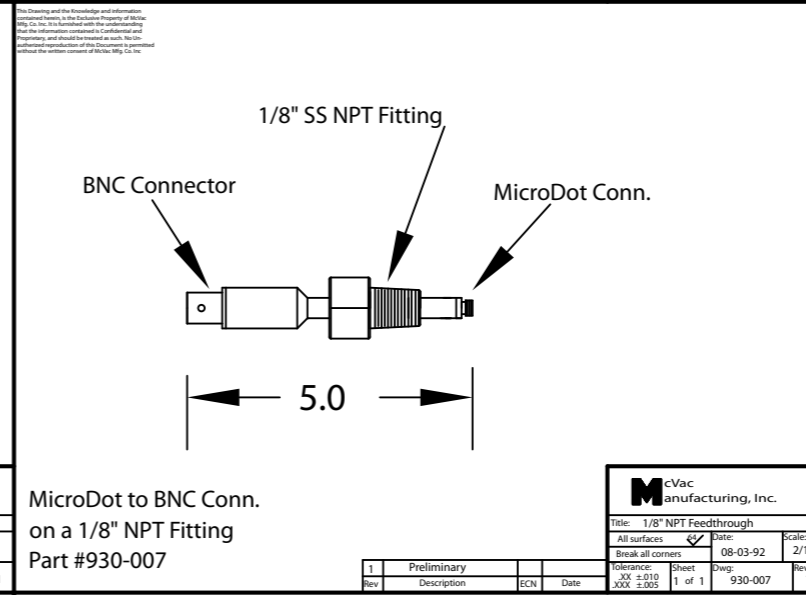
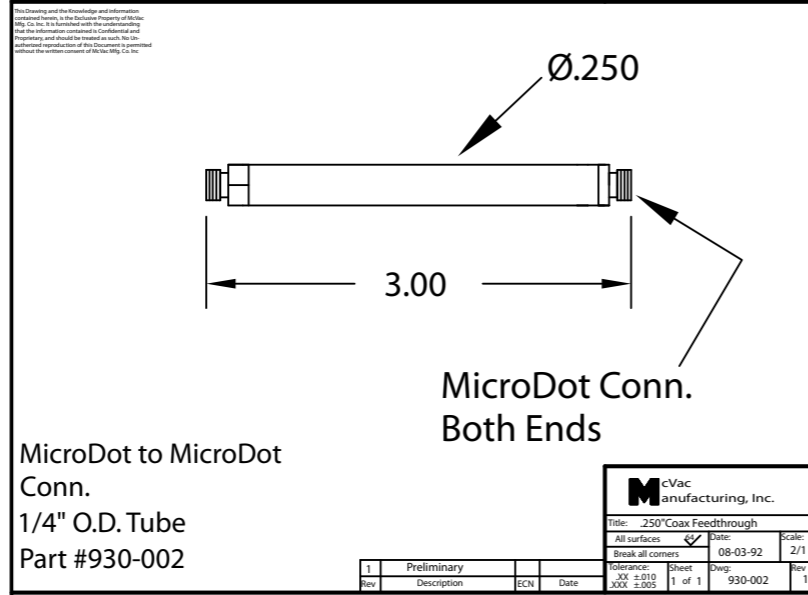
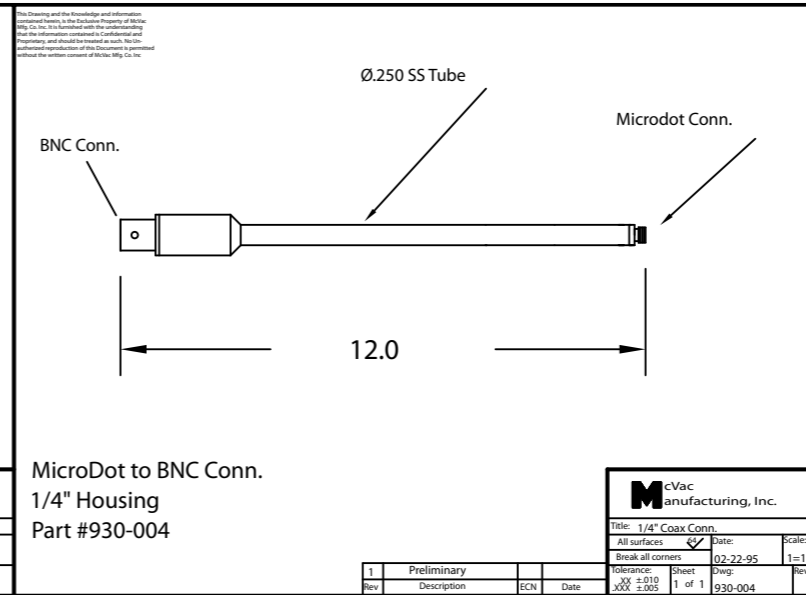
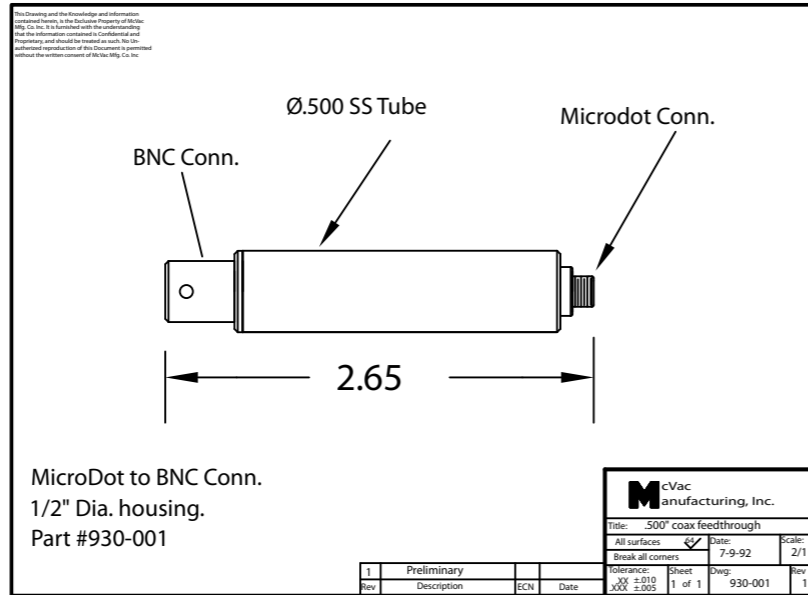
Part #
850-014
850-016
850-017

Part #
850-018
850-019
850-020



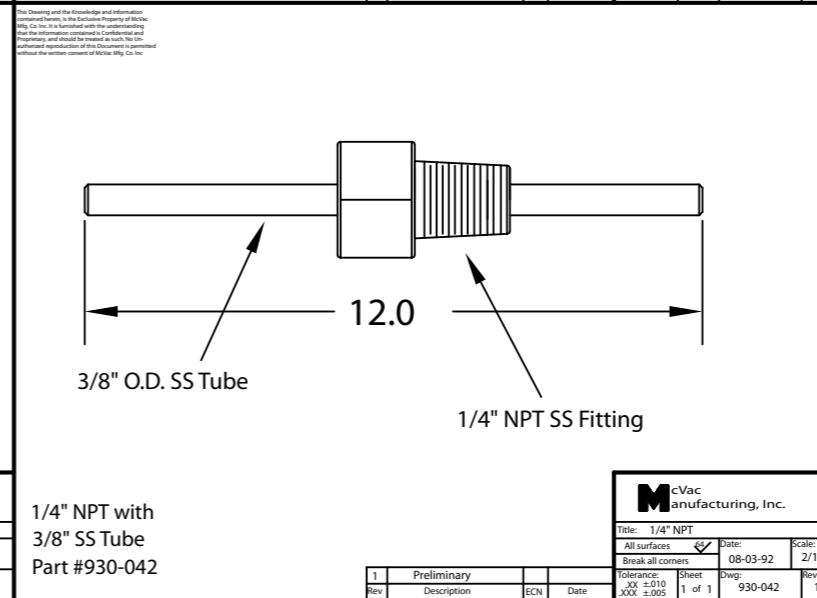
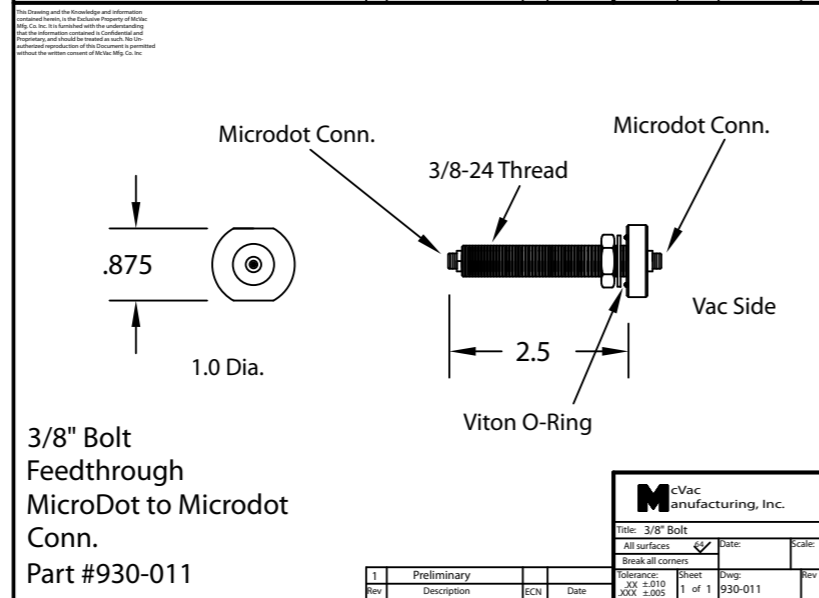
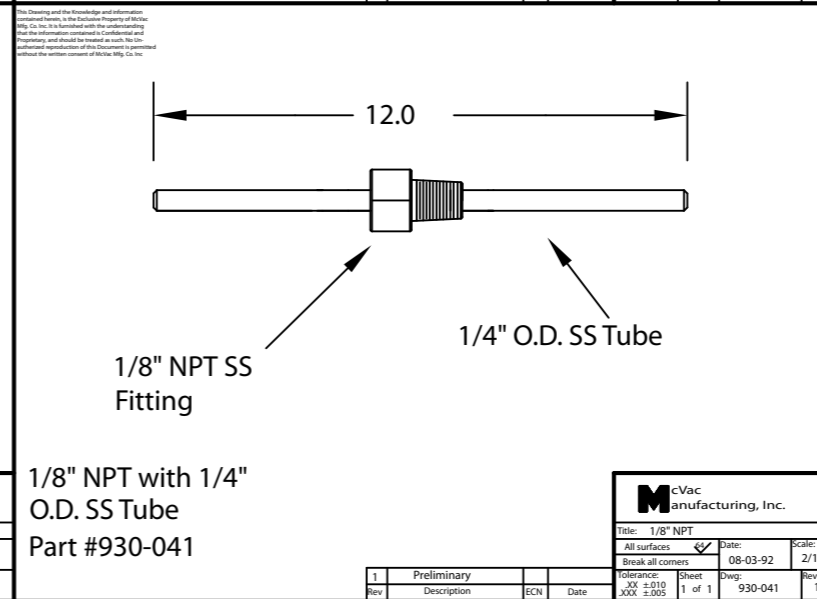
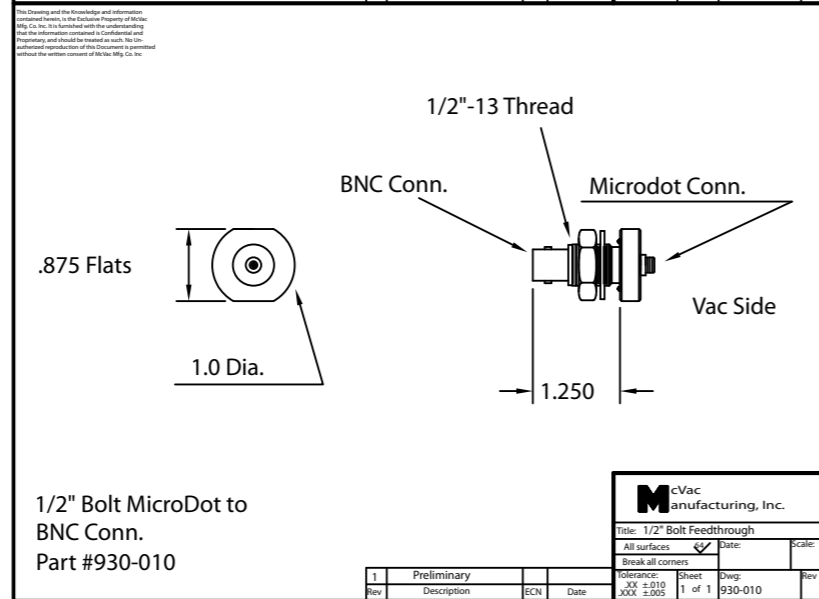
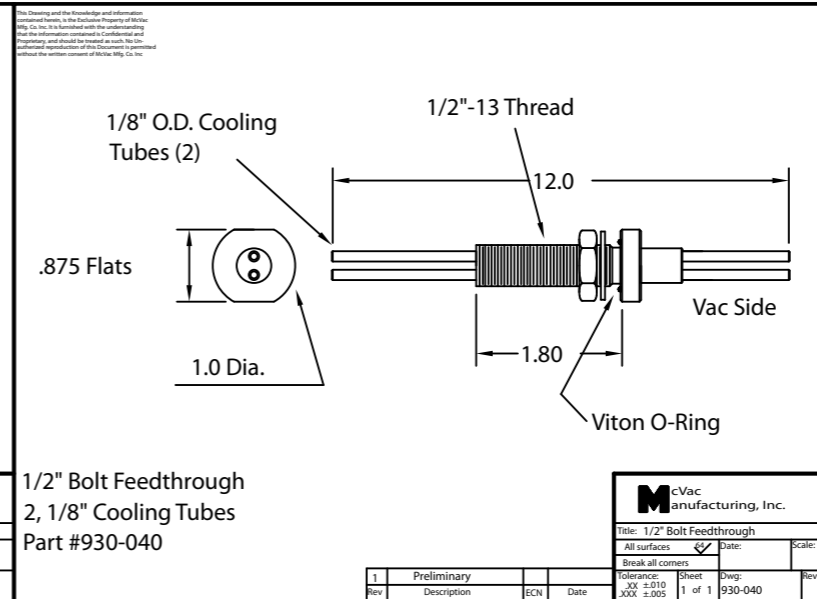
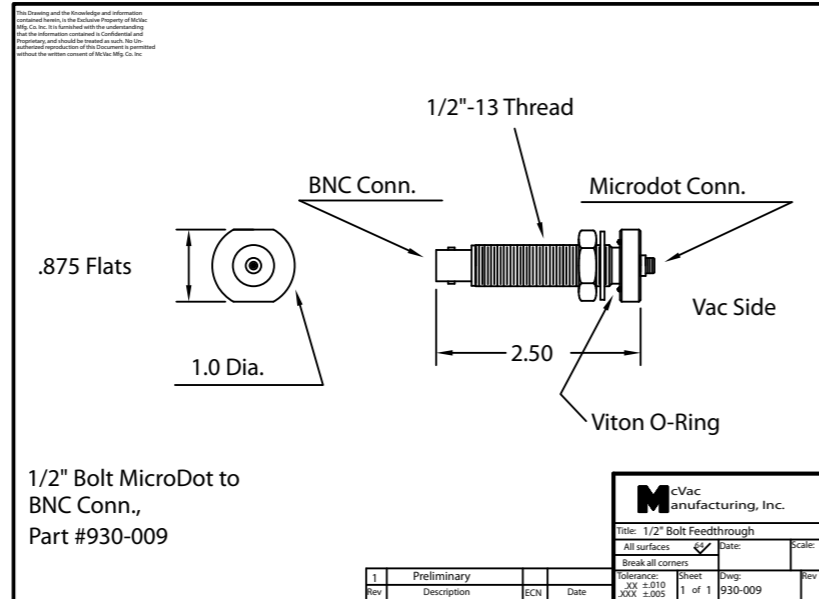
Part #
930-001
930-002
930-003

Part #
930-004
930-007
930-008



Part #
930-009
930-010
930-011

Part #
930-040
930-041
930-042



Part #
700-050
700-051
Cables

See Drawing

Part #
900-004
900-008/007
Crystals

See Drawing

